



From 125 to 3200 A

### ➤ Function

The **ATyS** dedicated to applications from 125A, enables the switching On Load three phase sources in remote or automatic mode. This Transfer Switching Equipment (TSE) is designed to be used in low voltage power systems for Open Transition Transfer applications.

This Transfer Switching Equipment (TSE) is composed of two mechanically and electrically interlocked switches.

- The **ATyS 3 (RTSE)** is driven by volt-free dry contacts allowing switching operation between position I, 0, II, from an external control logic or a PLC (control relays type ATyS C30).
- The **ATyS 6 (ATSE)** is dedicated to break before make automatic transfer applications. The ATyS 6 integrates control relays, timers and test functions to manage a Normal/ Backup switching operation between two networks or between a generator set and a network.

### ➤ General characteristics

- Fully visible breaking.
- On load switching.
- Manual emergency operation.
- 3 stable positions (I, 0, II), overlapping contacts on request (I, I+II, II).
- Padlocking in 0 position (I and II optional).
- AUTO / MANU selector.
- Single phase or three phase control on networks I and II (ATyS 6e and 6m).
- Electrical measurements (ATyS 6e and 6m).
- Measure of I, P, Q, S and PF (ATyS 6m).
- Configurable Control Logic.
- Possibility of inhibition of the electrical control (ATyS 3e).
- Optional communication and inputs/outputs modules (ATyS 3e and ATyS 6).

### ➤ Conformity to standards

- IEC 60947-3
- IS 14947-3
- EN 60947-3
- NBN EN 60947-3
- BS EN 60947-3
- GB 14048
- IEC 60947-6-1
- EN 60947-6-1
- NBN EN 60947-6-1
- BS EN 60947-6-1
- VDE 0660-107



atys\_007\_b\_1\_cat

AUT/MAN command



atys\_013\_a\_1\_cat

Emergency manual operation



atys\_008\_a\_1\_cat

Padlocking facility

➤ What you need to know

• On ATyS 3s and 3e models

Operation

ATyS 3s



ATyS M 3s is equipped with one 230VAC power input (176-288 VAC), 50/60 Hz (45/65 Hz).

ATyS 3e



ATyS 3e is equipped with 2 power inputs: one for power source 1 & the other one as backup power source 2. It allows the product to be electrically controlled in the 3 positions with only one of the supplies present.

Electrical control

• General

- The switching operation can be driven by an external dry contact.
- On ATyS 3e, it is possible to inhibit the electrical control (dry contact closed between terminal n° 313 and 317).

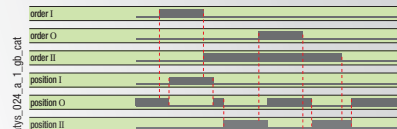
- The first order received has priority as long as it is present. A zero command has always priority, excepted in case of controls inhibition.

• Pulse logic

- The switching command is a pulsed dry contact (100ms minimum).
- When the order disappears, the product remains in position. The impulse can be of infinite duration without causing any disturbance.

• Contactor logic

- The transfer command is a maintained dry contact.
- If command I or II disappears, the device returns to zero position, if power supply is available.
- A 0 command drives the device into zero position, irrespective of the status of the I and II commands.



• On ATyS 6e and 6m models

Operation

ATyS 6e



ATyS 6m



ATyS 6e and 6m are equipped with 2 power inputs (same as ATyS 3e): one for power source 1 & the other one as backup power source 2. It allows the product to be electrically controlled in the 3 positions with only one of the supplies present.

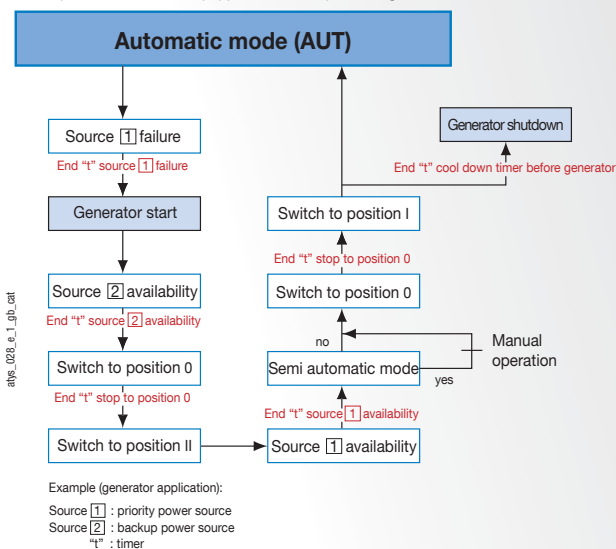
Characteristics

- Single phase or three phase control on networks I and II.
- Independent adjustable over/undervoltage and over/underfrequency thresholds: +/- 20% of the nominal value.
- Adjustable hysteresis thresholds linked to the threshold values.
- Control of phase rotation
- Measure (3U and frequency) on network 1 and 2; ATyS 6e and 6m N/E cycle delay; 3I, In, P, Q, S, PF - 3 phases only on ATyS 6m).

- Display + keyboard (adjustment of all threshold parameters; adjustment of MFT, DTT, OMF, MRT, OMR and CDT Visualization of electrical values; Test functions and position control functions;
- LED's (Product Power On; Status of the electrical sources; Position of the switch status; "AUT" mode; TEST/CONTROL mode and default.
- 1 configurable bistable output relay for generator start/stop command.(30 VDC, 5 A, AC1).
- 1NO fault relay activated in case of changeover position ordered and not reached (30 VDC, 5 A, AC1).

Automatic Control

The ATyS 6e and 6m are equipped with a sequence logic.



• Control modes

- Test On Load: This test simulates a loss of priority source. The complete automatic sequence is then followed. Can be activated from the keypad of the product or remotely from an external dry contact.
- Test Off-Load: This test will start and stop the generator without load transfer. Can be activated from the keypad of the product.
- Control of position I, 0, II: Allows the selection of the position of the product; the Automatic mode is inhibited. Can be activated from the keypad of the product or remotely from an external dry contact.
- Manual retransfer (Semi automatic): When this parameter is programmed, the switching back to the main must be acknowledge on the keypad of the product or through the contact of an optional Input/output module.

➔ ATyS - References



# ATyS 3

Rating (A)	No. of poles	ATyS 3s	ATyS 3e	Bridging bars*	Terminal shrouds	Terminal screens	Optional modules	Auxiliary contacts	Voltage transformer 400/230 VAC																																																																																																																																																																																																																		
125 A	3 P	1523 3012	1533 3012	4109 0019	3 P 2694 3014 <sup>(3)(4)</sup>	3 P 1509 3012 <sup>(5)</sup>		ATyS 3s 1599 1002 <sup>(7)</sup>  ATyS 3e 1599 0002 <sup>(7)</sup>	1599 4063																																																																																																																																																																																																																		
	4 P	1523 4012 <sup>(1)</sup>	1533 4012		4 P 2694 4014 <sup>(3)(4)</sup>	4 P 1509 4012 <sup>(5)</sup>				160 A	3 P	1523 3016	1533 3016	4109 0025	3 P 2694 3021 <sup>(3)(4)</sup>	3 P 1509 3025 <sup>(5)</sup>	RS485 MODBUS 1599 2000 <sup>(6)</sup>  2 inputs / 2 outputs 1599 2001 <sup>(6)</sup>			4 P	1523 4016 <sup>(1)</sup>	1533 4016	4109 0039	4 P 2694 4021 <sup>(3)(4)</sup>	4 P 1509 4025 <sup>(5)</sup>	250 A	3 P	1523 3025	1533 3025	4109 0063	3 P 2694 3051 <sup>(3)(4)</sup>	3 P 1509 3063 <sup>(5)</sup>	ATyS 3s 1599 1032 <sup>(7)</sup>  ATyS 3e 1599 0032 <sup>(7)</sup>	1599 4120	4 P	1523 4025 <sup>(1)</sup>	1533 4025	4109 0080	4 P 2694 4051 <sup>(3)(4)</sup>	4 P 1509 4080 <sup>(5)</sup>	400 A	3 P	1523 3040	1533 3040	4109 0120		3 P 1509 3080 <sup>(5)</sup>	ATyS 3s 1599 1032 <sup>(7)</sup>		4 P	1523 4040 <sup>(1)</sup>	1533 4040	4109 0160		4 P 1509 4080 <sup>(5)</sup>	630 A	3 P	1523 3063	1533 3063	4109 0120		3 P 1509 3160 <sup>(5)</sup>	ATyS 3s 1599 1032 <sup>(7)</sup>		4 P	1523 4063 <sup>(1)</sup>	1533 4063	4109 0160		4 P 1509 4160 <sup>(5)</sup>	800 A	3 P	1523 3080	1533 3080	4109 0120		3 P 1509 3200 <sup>(5)</sup>	included	1599 4200	4 P	1523 4080 <sup>(1)</sup>	1533 4080	4109 0160		4 P 1509 4200 <sup>(5)</sup>	1000 A	3 P	1523 3100	1533 3100	4109 0160		3 P 1509 3250 <sup>(5)</sup>			4 P	1523 4100 <sup>(1)</sup>	1533 4100	4109 0160		4 P 1509 4200 <sup>(5)</sup>	1250 A	3 P	1523 3120	1533 3120	4109 0160		3 P 1509 3200 <sup>(5)</sup>			4 P	1523 4120 <sup>(1)</sup>	1533 4120	4109 0160		4 P 1509 4200 <sup>(5)</sup>	1600 A	3 P	1523 3160	1533 3160	4109 0160		3 P 1509 3200 <sup>(5)</sup>			4 P	1523 4160 <sup>(1)</sup>	1533 4160	4109 0160		4 P 1509 4200 <sup>(5)</sup>	1800 A	3 P	1523 3180		4109 0160		3 P 1509 3200 <sup>(5)</sup>			4 P	1523 4180		4109 0160		4 P 1509 4200 <sup>(5)</sup>	2000 A	3 P		1533 3200	4109 0160		3 P 1509 3200 <sup>(5)</sup>			4 P		1533 4200	4109 0160		4 P 1509 4200 <sup>(5)</sup>	2500 A	3 P		1533 3250	4109 0160		3 P 1509 3200 <sup>(5)</sup>			4 P		1533 4250	4109 0160		4 P 1509 4200 <sup>(5)</sup>	3200 A	3 P		1533 3320	4109 0160		3 P 1509 3200 <sup>(5)</sup>			4 P		1533 4320	4109 0160		4 P 1509 4200 <sup>(5)</sup>																													
160 A	3 P	1523 3016	1533 3016		4109 0025	3 P 2694 3021 <sup>(3)(4)</sup>					3 P 1509 3025 <sup>(5)</sup>	RS485 MODBUS 1599 2000 <sup>(6)</sup>  2 inputs / 2 outputs 1599 2001 <sup>(6)</sup>																																																																																																																																																																																																															
	4 P	1523 4016 <sup>(1)</sup>	1533 4016							4109 0039				4 P 2694 4021 <sup>(3)(4)</sup>	4 P 1509 4025 <sup>(5)</sup>	250 A					3 P	1523 3025	1533 3025	4109 0063	3 P 2694 3051 <sup>(3)(4)</sup>	3 P 1509 3063 <sup>(5)</sup>	ATyS 3s 1599 1032 <sup>(7)</sup>  ATyS 3e 1599 0032 <sup>(7)</sup>	1599 4120	4 P	1523 4025 <sup>(1)</sup>	1533 4025	4109 0080			4 P 2694 4051 <sup>(3)(4)</sup>	4 P 1509 4080 <sup>(5)</sup>	400 A	3 P	1523 3040	1533 3040	4109 0120		3 P 1509 3080 <sup>(5)</sup>	ATyS 3s 1599 1032 <sup>(7)</sup>		4 P	1523 4040 <sup>(1)</sup>			1533 4040	4109 0160		4 P 1509 4080 <sup>(5)</sup>	630 A	3 P	1523 3063	1533 3063	4109 0120		3 P 1509 3160 <sup>(5)</sup>	ATyS 3s 1599 1032 <sup>(7)</sup>				4 P	1523 4063 <sup>(1)</sup>	1533 4063	4109 0160		4 P 1509 4160 <sup>(5)</sup>	800 A	3 P	1523 3080	1533 3080	4109 0120		3 P 1509 3200 <sup>(5)</sup>			included	1599 4200	4 P	1523 4080 <sup>(1)</sup>	1533 4080	4109 0160		4 P 1509 4200 <sup>(5)</sup>	1000 A	3 P	1523 3100	1533 3100	4109 0160				3 P 1509 3250 <sup>(5)</sup>			4 P	1523 4100 <sup>(1)</sup>	1533 4100	4109 0160		4 P 1509 4200 <sup>(5)</sup>	1250 A	3 P	1523 3120			1533 3120	4109 0160		3 P 1509 3200 <sup>(5)</sup>			4 P	1523 4120 <sup>(1)</sup>	1533 4120	4109 0160		4 P 1509 4200 <sup>(5)</sup>	1600 A			3 P	1523 3160	1533 3160	4109 0160		3 P 1509 3200 <sup>(5)</sup>			4 P	1523 4160 <sup>(1)</sup>	1533 4160	4109 0160				4 P 1509 4200 <sup>(5)</sup>	1800 A	3 P	1523 3180		4109 0160		3 P 1509 3200 <sup>(5)</sup>			4 P	1523 4180				4109 0160		4 P 1509 4200 <sup>(5)</sup>	2000 A	3 P		1533 3200	4109 0160		3 P 1509 3200 <sup>(5)</sup>			4 P				1533 4200	4109 0160		4 P 1509 4200 <sup>(5)</sup>	2500 A	3 P		1533 3250	4109 0160		3 P 1509 3200 <sup>(5)</sup>					4 P		1533 4250	4109 0160		4 P 1509 4200 <sup>(5)</sup>	3200 A	3 P		1533 3320	4109 0160		3 P 1509 3200 <sup>(5)</sup>			4 P		1533 4320	4109 0160		4 P 1509 4200 <sup>(5)</sup>													
250 A	3 P	1523 3025	1533 3025	4109 0063	3 P 2694 3051 <sup>(3)(4)</sup>	3 P 1509 3063 <sup>(5)</sup>					ATyS 3s 1599 1032 <sup>(7)</sup>  ATyS 3e 1599 0032 <sup>(7)</sup>										1599 4120																																																																																																																																																																																																						
	4 P	1523 4025 <sup>(1)</sup>	1533 4025							4109 0080				4 P 2694 4051 <sup>(3)(4)</sup>	4 P 1509 4080 <sup>(5)</sup>	400 A						3 P	1523 3040	1533 3040	4109 0120				3 P 1509 3080 <sup>(5)</sup>	ATyS 3s 1599 1032 <sup>(7)</sup>		4 P			1523 4040 <sup>(1)</sup>	1533 4040	4109 0160		4 P 1509 4080 <sup>(5)</sup>	630 A	3 P	1523 3063	1533 3063			4109 0120				3 P 1509 3160 <sup>(5)</sup>	ATyS 3s 1599 1032 <sup>(7)</sup>		4 P	1523 4063 <sup>(1)</sup>	1533 4063	4109 0160		4 P 1509 4160 <sup>(5)</sup>	800 A	3 P					1523 3080	1533 3080	4109 0120		3 P 1509 3200 <sup>(5)</sup>	included	1599 4200	4 P	1523 4080 <sup>(1)</sup>	1533 4080	4109 0160		4 P 1509 4200 <sup>(5)</sup>					1000 A	3 P	1523 3100	1533 3100	4109 0160		3 P 1509 3250 <sup>(5)</sup>			4 P	1523 4100 <sup>(1)</sup>			1533 4100	4109 0160				4 P 1509 4200 <sup>(5)</sup>	1250 A	3 P	1523 3120	1533 3120	4109 0160		3 P 1509 3200 <sup>(5)</sup>					4 P	1523 4120 <sup>(1)</sup>			1533 4120	4109 0160		4 P 1509 4200 <sup>(5)</sup>	1600 A	3 P	1523 3160			1533 3160	4109 0160		3 P 1509 3200 <sup>(5)</sup>					4 P	1523 4160 <sup>(1)</sup>	1533 4160	4109 0160				4 P 1509 4200 <sup>(5)</sup>	1800 A	3 P	1523 3180		4109 0160		3 P 1509 3200 <sup>(5)</sup>					4 P			1523 4180		4109 0160		4 P 1509 4200 <sup>(5)</sup>	2000 A	3 P		1533 3200	4109 0160						3 P 1509 3200 <sup>(5)</sup>			4 P		1533 4200	4109 0160		4 P 1509 4200 <sup>(5)</sup>	2500 A	3 P						1533 3250	4109 0160		3 P 1509 3200 <sup>(5)</sup>			4 P		1533 4250	4109 0160		4 P 1509 4200 <sup>(5)</sup>	3200 A			3 P		1533 3320	4109 0160		3 P 1509 3200 <sup>(5)</sup>			4 P		1533 4320	4109 0160		4 P 1509 4200 <sup>(5)</sup>					
400 A	3 P	1523 3040	1533 3040	4109 0120		3 P 1509 3080 <sup>(5)</sup>																ATyS 3s 1599 1032 <sup>(7)</sup>																																																																																																																																																																																																					
	4 P	1523 4040 <sup>(1)</sup>	1533 4040							4109 0160					4 P 1509 4080 <sup>(5)</sup>	630 A								3 P	1523 3063	1533 3063			4109 0120						3 P 1509 3160 <sup>(5)</sup>	ATyS 3s 1599 1032 <sup>(7)</sup>		4 P	1523 4063 <sup>(1)</sup>	1533 4063	4109 0160		4 P 1509 4160 <sup>(5)</sup>			800 A	3 P			1523 3080			1533 3080	4109 0120		3 P 1509 3200 <sup>(5)</sup>	included	1599 4200	4 P	1523 4080 <sup>(1)</sup>					1533 4080	4109 0160		4 P 1509 4200 <sup>(5)</sup>	1000 A			3 P	1523 3100	1533 3100	4109 0160		3 P 1509 3250 <sup>(5)</sup>							4 P	1523 4100 <sup>(1)</sup>	1533 4100	4109 0160				4 P 1509 4200 <sup>(5)</sup>	1250 A			3 P	1523 3120			1533 3120	4109 0160		3 P 1509 3200 <sup>(5)</sup>			4 P	1523 4120 <sup>(1)</sup>	1533 4120					4109 0160				4 P 1509 4200 <sup>(5)</sup>	1600 A	3 P	1523 3160	1533 3160	4109 0160				3 P 1509 3200 <sup>(5)</sup>			4 P					1523 4160 <sup>(1)</sup>	1533 4160	4109 0160		4 P 1509 4200 <sup>(5)</sup>			1800 A	3 P	1523 3180		4109 0160		3 P 1509 3200 <sup>(5)</sup>									4 P	1523 4180		4109 0160		4 P 1509 4200 <sup>(5)</sup>	2000 A	3 P		1533 3200			4109 0160						3 P 1509 3200 <sup>(5)</sup>			4 P		1533 4200	4109 0160		4 P 1509 4200 <sup>(5)</sup>					2500 A	3 P		1533 3250			4109 0160		3 P 1509 3200 <sup>(5)</sup>			4 P				1533 4250	4109 0160		4 P 1509 4200 <sup>(5)</sup>	3200 A	3 P				1533 3320	4109 0160		3 P 1509 3200 <sup>(5)</sup>			4 P		1533 4320	4109 0160
630 A	3 P	1523 3063	1533 3063	4109 0120		3 P 1509 3160 <sup>(5)</sup>																		ATyS 3s 1599 1032 <sup>(7)</sup>																																																																																																																																																																																																			
	4 P	1523 4063 <sup>(1)</sup>	1533 4063							4109 0160					4 P 1509 4160 <sup>(5)</sup>	800 A										3 P			1523 3080			1533 3080			4109 0120				3 P 1509 3200 <sup>(5)</sup>	included	1599 4200	4 P	1523 4080 <sup>(1)</sup>			1533 4080	4109 0160						4 P 1509 4200 <sup>(5)</sup>	1000 A	3 P	1523 3100			1533 3100	4109 0160						3 P 1509 3250 <sup>(5)</sup>			4 P			1523 4100 <sup>(1)</sup>	1533 4100	4109 0160		4 P 1509 4200 <sup>(5)</sup>	1250 A							3 P	1523 3120	1533 3120	4109 0160				3 P 1509 3200 <sup>(5)</sup>					4 P			1523 4120 <sup>(1)</sup>	1533 4120	4109 0160				4 P 1509 4200 <sup>(5)</sup>	1600 A	3 P					1523 3160	1533 3160			4109 0160		3 P 1509 3200 <sup>(5)</sup>			4 P	1523 4160 <sup>(1)</sup>			1533 4160			4109 0160						4 P 1509 4200 <sup>(5)</sup>	1800 A	3 P	1523 3180				4109 0160		3 P 1509 3200 <sup>(5)</sup>			4 P									1523 4180		4109 0160		4 P 1509 4200 <sup>(5)</sup>	2000 A	3 P		1533 3200	4109 0160						3 P 1509 3200 <sup>(5)</sup>							4 P		1533 4200	4109 0160						4 P 1509 4200 <sup>(5)</sup>	2500 A	3 P				1533 3250	4109 0160				3 P 1509 3200 <sup>(5)</sup>					4 P		1533 4250	4109 0160				4 P 1509 4200 <sup>(5)</sup>	3200 A	3 P		1533 3320			4109 0160		3 P 1509 3200 <sup>(5)</sup>	
800 A	3 P	1523 3080	1533 3080	4109 0120		3 P 1509 3200 <sup>(5)</sup>	included	1599 4200																																																																																																																																																																																																																			
	4 P	1523 4080 <sup>(1)</sup>	1533 4080						4109 0160					4 P 1509 4200 <sup>(5)</sup>	1000 A	3 P	1523 3100	1533 3100	4109 0160										3 P 1509 3250 <sup>(5)</sup>					4 P	1523 4100 <sup>(1)</sup>			1533 4100	4109 0160				4 P 1509 4200 <sup>(5)</sup>			1250 A	3 P	1523 3120	1533 3120	4109 0160				3 P 1509 3200 <sup>(5)</sup>					4 P	1523 4120 <sup>(1)</sup>			1533 4120	4109 0160		4 P 1509 4200 <sup>(5)</sup>			1600 A			3 P	1523 3160	1533 3160	4109 0160		3 P 1509 3200 <sup>(5)</sup>							4 P	1523 4160 <sup>(1)</sup>	1533 4160	4109 0160				4 P 1509 4200 <sup>(5)</sup>		1800 A	3 P		1523 3180				4109 0160		3 P 1509 3200 <sup>(5)</sup>					4 P	1523 4180				4109 0160				4 P 1509 4200 <sup>(5)</sup>	2000 A	3 P				1533 3200	4109 0160		3 P 1509 3200 <sup>(5)</sup>									4 P		1533 4200	4109 0160		4 P 1509 4200 <sup>(5)</sup>	2500 A	3 P		1533 3250			4109 0160								3 P 1509 3200 <sup>(5)</sup>			4 P		1533 4250	4109 0160		4 P 1509 4200 <sup>(5)</sup>	3200 A	3 P				1533 3320	4109 0160								3 P 1509 3200 <sup>(5)</sup>			4 P			1533 4320	4109 0160			4 P 1509 4200 <sup>(5)</sup>																																
1000 A	3 P	1523 3100	1533 3100	4109 0160		3 P 1509 3250 <sup>(5)</sup>																																																																																																																																																																																																																					
	4 P	1523 4100 <sup>(1)</sup>	1533 4100						4109 0160					4 P 1509 4200 <sup>(5)</sup>	1250 A	3 P	1523 3120	1533 3120	4109 0160							3 P 1509 3200 <sup>(5)</sup>			4 P					1523 4120 <sup>(1)</sup>	1533 4120			4109 0160				4 P 1509 4200 <sup>(5)</sup>	1600 A	3 P	1523 3160	1533 3160	4109 0160		3 P 1509 3200 <sup>(5)</sup>					4 P					1523 4160 <sup>(1)</sup>	1533 4160	4109 0160		4 P 1509 4200 <sup>(5)</sup>	1800 A	3 P	1523 3180						4109 0160		3 P 1509 3200 <sup>(5)</sup>			4 P			1523 4180				4109 0160		4 P 1509 4200 <sup>(5)</sup>	2000 A	3 P					1533 3200	4109 0160			3 P 1509 3200 <sup>(5)</sup>			4 P		1533 4200					4109 0160		4 P 1509 4200 <sup>(5)</sup>			2500 A	3 P		1533 3250	4109 0160		3 P 1509 3200 <sup>(5)</sup>					4 P		1533 4250						4109 0160			4 P 1509 4200 <sup>(5)</sup>	3200 A	3 P		1533 3320	4109 0160		3 P 1509 3200 <sup>(5)</sup>					4 P			1533 4320				4109 0160				4 P 1509 4200 <sup>(5)</sup>																																																														
1250 A	3 P	1523 3120	1533 3120	4109 0160		3 P 1509 3200 <sup>(5)</sup>																																																																																																																																																																																																																					
	4 P	1523 4120 <sup>(1)</sup>	1533 4120						4109 0160					4 P 1509 4200 <sup>(5)</sup>	1600 A		3 P	1523 3160	1533 3160	4109 0160						3 P 1509 3200 <sup>(5)</sup>					4 P			1523 4160 <sup>(1)</sup>	1533 4160			4109 0160				4 P 1509 4200 <sup>(5)</sup>	1800 A	3 P	1523 3180		4109 0160		3 P 1509 3200 <sup>(5)</sup>					4 P					1523 4180		4109 0160		4 P 1509 4200 <sup>(5)</sup>	2000 A	3 P				1533 3200	4109 0160		3 P 1509 3200 <sup>(5)</sup>					4 P				1533 4200			4109 0160		4 P 1509 4200 <sup>(5)</sup>	2500 A	3 P		1533 3250	4109 0160			3 P 1509 3200 <sup>(5)</sup>						4 P		1533 4250					4109 0160		4 P 1509 4200 <sup>(5)</sup>	3200 A	3 P		1533 3320	4109 0160		3 P 1509 3200 <sup>(5)</sup>							4 P		1533 4320				4109 0160		4 P 1509 4200 <sup>(5)</sup>																																																																																								
1600 A	3 P	1523 3160	1533 3160	4109 0160		3 P 1509 3200 <sup>(5)</sup>																																																																																																																																																																																																																					
	4 P	1523 4160 <sup>(1)</sup>	1533 4160						4109 0160					4 P 1509 4200 <sup>(5)</sup>	1800 A				3 P	1523 3180		4109 0160				3 P 1509 3200 <sup>(5)</sup>									4 P	1523 4180		4109 0160				4 P 1509 4200 <sup>(5)</sup>	2000 A	3 P		1533 3200	4109 0160		3 P 1509 3200 <sup>(5)</sup>									4 P		1533 4200	4109 0160		4 P 1509 4200 <sup>(5)</sup>	2500 A	3 P				1533 3250	4109 0160		3 P 1509 3200 <sup>(5)</sup>									4 P		1533 4250	4109 0160		4 P 1509 4200 <sup>(5)</sup>	3200 A	3 P		1533 3320	4109 0160			3 P 1509 3200 <sup>(5)</sup>								4 P		1533 4320			4109 0160		4 P 1509 4200 <sup>(5)</sup>																																																																																																														
1800 A	3 P	1523 3180		4109 0160		3 P 1509 3200 <sup>(5)</sup>																																																																																																																																																																																																																					
	4 P	1523 4180							4109 0160					4 P 1509 4200 <sup>(5)</sup>	2000 A						3 P		1533 3200	4109 0160		3 P 1509 3200 <sup>(5)</sup>											4 P		1533 4200	4109 0160		4 P 1509 4200 <sup>(5)</sup>	2500 A	3 P		1533 3250	4109 0160		3 P 1509 3200 <sup>(5)</sup>											4 P		1533 4250	4109 0160		4 P 1509 4200 <sup>(5)</sup>	3200 A	3 P		1533 3320	4109 0160		3 P 1509 3200 <sup>(5)</sup>											4 P		1533 4320	4109 0160		4 P 1509 4200 <sup>(5)</sup>																																																																																																																																			
2000 A	3 P		1533 3200	4109 0160		3 P 1509 3200 <sup>(5)</sup>																																																																																																																																																																																																																					
	4 P		1533 4200						4109 0160					4 P 1509 4200 <sup>(5)</sup>	2500 A						3 P		1533 3250	4109 0160		3 P 1509 3200 <sup>(5)</sup>											4 P		1533 4250	4109 0160		4 P 1509 4200 <sup>(5)</sup>	3200 A	3 P		1533 3320	4109 0160		3 P 1509 3200 <sup>(5)</sup>											4 P		1533 4320	4109 0160		4 P 1509 4200 <sup>(5)</sup>																																																																																																																																																										
2500 A	3 P		1533 3250	4109 0160		3 P 1509 3200 <sup>(5)</sup>																																																																																																																																																																																																																					
	4 P		1533 4250						4109 0160					4 P 1509 4200 <sup>(5)</sup>	3200 A						3 P		1533 3320	4109 0160		3 P 1509 3200 <sup>(5)</sup>											4 P		1533 4320	4109 0160		4 P 1509 4200 <sup>(5)</sup>																																																																																																																																																																																	
3200 A	3 P		1533 3320	4109 0160		3 P 1509 3200 <sup>(5)</sup>																																																																																																																																																																																																																					
	4 P		1533 4320						4109 0160					4 P 1509 4200 <sup>(5)</sup>																																																																																																																																																																																																													

\* 1 required per pole.  
 (1) Available enclosed (see pages 503 "Enclosed changeover switches").  
 (2) See page 317 "Copper bars connection kits".  
 (3) To shroud front switch top and bottom 2 references required.  
 (4) To fully shroud front, rear, top and bottom 4 references required.  
 (5) To shroud the front switch top and bottom, 1 reference is required.  
 (6) On ATyS 3e only.  
 (7) Factory fitted.

## ATyS 3 (continued)

Rating (A)	No. of poles	ATyS 3s	ATyS 3e	DC power supply	Padlockable handle	Key handle interlocking system	Door protective surround	Mounting spacers	DPS - Dual power supply						
125 A	3 P	1523 3012	1533 3012	12VDC/230 VAC 1599 5012	1599 0003 <sup>(2)</sup>	1509 1006 <sup>(2)</sup>	ATyS 3s 1529 0012  ATyS 3e 1539 0012	1509 0001							
	4 P	1523 4012 <sup>(1)</sup>	1533 4012												
160 A	3 P	1523 3016	1533 3016												
	4 P	1523 4016 <sup>(1)</sup>	1533 4016												
250 A	3 P	1523 3025	1533 3025												
	4 P	1523 4025 <sup>(1)</sup>	1533 4025												
400 A	3 P	1523 3040	1533 3040												
	4 P	1523 4040 <sup>(1)</sup>	1533 4040												
630 A	3 P	1523 3063	1533 3063							24VDC/230 VAC 1599 5112	1599 0004 <sup>(2)</sup>	1509 1004 <sup>(2)</sup>	ATyS 3s 1529 0080  ATyS 3e 1539 0080	1599 4001 <sup>(3)</sup>	
	4 P	1523 4063 <sup>(1)</sup>	1533 4063												
800 A	3 P	1523 3080	1533 3080												
	4 P	1523 4080 <sup>(1)</sup>	1533 4080												
1000 A	3 P	1523 3100	1533 3100												
	4 P	1523 4100 <sup>(1)</sup>	1533 4100												
1250 A	3 P	1523 3120	1533 3120												
	4 P	1523 4120 <sup>(1)</sup>	1533 4120												
1600 A	3 P	1523 3160	1533 3160												
	4 P	1523 4160 <sup>(1)</sup>	1533 4160												
1800 A	3 P	1523 3180													
	4 P	1523 4180													
2000 A	3 P		1533 3200												
	4 P		1533 4200												
2500 A	3 P		1533 3250												
	4 P		1533 4250												
3200 A	3 P		1533 3320												
	4 P		1533 4320												

(1) Available enclosed (see pages 503 "Enclosed changeover switches").

(2) Factory fitted.

(3) On ATyS 3e only.



## ATyS 6\*

Rating (A)	No. of poles	ATyS 6e	ATyS 6m	Bridging bars**	Voltage sensing kit	Terminal shrouds	Terminal screens	Optional modules	Human interface / Offset Machine	RJ45 connecting cable							
125 A	3 P	1563 3012	1573 3012	4109 0019	3 P 1559 3012 4 P 1559 4013 <sup>(3)</sup>	3 P 2694 3014 <sup>(4)(5)</sup> 4 P 2694 4014 <sup>(4)(5)</sup>	3 P 1509 3012 <sup>(6)</sup> 4 P 1509 4012 <sup>(6)</sup>										
	4 P	1563 4012 <sup>(1)</sup>	1573 4012														
160 A	3 P	1563 3016	1573 3016								4109 0025	3 P 1559 3025 4 P 1559 4026 <sup>(3)</sup>	3 P 2694 3021 <sup>(4)(5)</sup> 4 P 2694 4021 <sup>(4)(5)</sup>	3 P 1509 3025 <sup>(6)</sup> 4 P 1509 4025 <sup>(6)</sup>			
	4 P	1563 4016 <sup>(1)</sup>	1573 4016														
250 A	3 P	1563 3025	1573 3025								4109 0039	3 P 1559 3040 4 P 1559 4041 <sup>(3)</sup>	3 P 2694 3021 <sup>(4)(5)</sup> 4 P 2694 4021 <sup>(4)(5)</sup>	3 P 1509 3025 <sup>(6)</sup> 4 P 1509 4025 <sup>(6)</sup>			
	4 P	1563 4025 <sup>(1)</sup>	1573 4025														
400 A	3 P	1563 3040	1573 3040	4109 0063	3 P 1559 3063 4 P 1559 4064 <sup>(3)</sup>	2694 3051 <sup>(4)(5)</sup> 2694 4051 <sup>(4)(5)</sup>	3 P 1509 3063 <sup>(6)</sup> 4 P 1509 4063 <sup>(6)</sup>										
	4 P	1563 4040 <sup>(1)</sup>	1573 4040														
630 A	3 P	1563 3063	1573 3063	4109 0080	3 P 1559 3080 4 P 1559 4081 <sup>(3)</sup>		3 P 1509 3080 <sup>(6)</sup> 4 P 1509 4080 <sup>(6)</sup>	RS485 MODBUS 1599 2000	ATyS D10 1599 2010 ATyS D20 1599 2020	1599 2009							
	4 P	1563 4063 <sup>(1)</sup>	1573 4063														
800 A	3 P	1563 3080	1573 3080	4109 0120	3 P 1559 3120 4 P 1559 4121 <sup>(3)</sup>		3 P 1509 3080 <sup>(6)</sup> 4 P 1509 4080 <sup>(6)</sup>	2 inputs/ 2 outputs 1599 2001									
	4 P	1563 4080 <sup>(1)</sup>	1573 4080														
1000 A	3 P	1563 3100	1573 3100	4109 0160	3 P 1559 3160 4 P 1559 4161 <sup>(3)</sup>		3 P 1509 3080 <sup>(6)</sup> 4 P 1509 4080 <sup>(6)</sup>										
	4 P	1563 4100 <sup>(1)</sup>	1573 4100														
1250 A	3 P	1563 3120	1573 3120	4109 0160	3 P 1559 3160 4 P 1559 4161 <sup>(3)</sup>		1509 3160 <sup>(6)</sup> 1509 4160 <sup>(6)</sup>										
	4 P	1563 4120 <sup>(1)</sup>	1573 4120														
1600 A	3 P	1563 3160	1573 3160	(2)	3 P 1559 3200 4 P 1559 4201 <sup>(3)</sup>		3 P 1509 3200 <sup>(6)</sup> 4 P 1509 4200 <sup>(6)</sup>										
	4 P	1563 4160 <sup>(1)</sup>	1573 4160														
2000 A	3 P	1563 3200	1573 3200	(2)	3 P 1559 3200 4 P 1559 4201 <sup>(3)</sup>		3 P 1509 3200 <sup>(6)</sup> 4 P 1509 4200 <sup>(6)</sup>										
	4 P	1563 4200	1573 4200														
2500 A	3 P	1563 3250	1573 3250	(2)	3 P 1559 3200 4 P 1559 4201 <sup>(3)</sup>		3 P 1509 3200 <sup>(6)</sup> 4 P 1509 4200 <sup>(6)</sup>										
	4 P	1563 4250	1573 4250														
3200 A	3 P	1563 3320	1573 3320	(2)	3 P 1559 3200 4 P 1559 4201 <sup>(3)</sup>		3 P 1509 3200 <sup>(6)</sup> 4 P 1509 4200 <sup>(6)</sup>										
	4 P	1563 4320	1573 4320														

\* (ATS) Enclosed Automatic Transfer Switch.

\*\* 1 required per pole.

(1) Available enclosed (see pages 504 "Enclosed changeover switches").

(2) See page 317 "Copper bars connection kits".

(3) Neutral on the left (on the right, see page 318).

(4) To shroud front switch top and bottom 2 references required.

(5) To fully shroud front, rear, top and bottom 4 references required.

(6) To shroud front switch top and bottom 1 references required.

## ATyS 6\* (continued)

Rating (A)	No. of poles	ATyS 6e	ATyS 6m	Auxiliary contacts	Voltage transformer 400/230 VAC	DC power supply	Padlockable handle	Key handle interlocking system	Door protective surround	Mounting spacers		
125 A	3 P	1563 3012	1573 3012	1599 0002 <sup>(2)</sup>	1599 4063	12 VDC / 230 VAC 1599 5012 24 VDC / 230 VAC 1599 5112	1599 0003 <sup>(2)</sup>	1509 1006 <sup>(2)</sup>	1539 0012	1509 0001		
	4 P	1563 4012 <sup>(1)</sup>	1573 4012									
160 A	3 P	1563 3016	1573 3016									
	4 P	1563 4016 <sup>(1)</sup>	1573 4016									
250 A	3 P	1563 3025	1573 3025									
	4 P	1563 4025 <sup>(1)</sup>	1573 4025									
400 A	3 P	1563 3040	1573 3040									
	4 P	1563 4040 <sup>(1)</sup>	1573 4040									
630 A	3 P	1563 3063	1573 3063									
	4 P	1563 4063 <sup>(1)</sup>	1573 4063									
800 A	3 P	1563 3080	1573 3080									
	4 P	1563 4080 <sup>(1)</sup>	1573 4080									
1000 A	3 P	1563 3100	1573 3100								1599 0032 <sup>(2)</sup>	1599 4120
	4 P	1563 4100 <sup>(1)</sup>	1573 4100									
1250 A	3 P	1563 3120	1573 3120									
	4 P	1563 4120 <sup>(1)</sup>	1573 4120									
1600 A	3 P	1563 3160	1573 3160	1599 0004 <sup>(2)</sup>	1509 1004 <sup>(2)</sup>	1539 0080						
	4 P	1563 4160 <sup>(1)</sup>	1573 4160									
2000 A	3 P	1563 3200	1573 3200	included	1599 4200							
	4 P	1563 4200	1573 4200									
2500 A	3 P	1563 3250	1573 3250									
	4 P	1563 4250	1573 4250									
3200 A	3 P	1563 3320	1573 3320									
	4 P	1563 4320	1573 4320									

\* (ATS) Enclosed Automatic Transfer Switch.

(1) Available enclosed (see pages 504 "Enclosed changeover switches").

(2) Factory fitted.

## Other products

**Make before break motorised changeover switch (overlapping contact).**



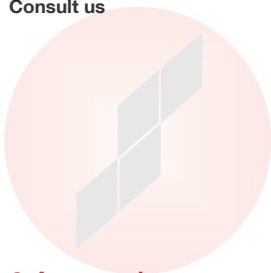
**Function**

They provide switching, uninterrupted low voltage source inversion and safety isolation. They are intended to be coupled with a UPS (I, I+II, II).

**General characteristics**

- For ratings from 125 to 1800 A, 3 and 4 pole.
- 3 stable positions (I - I+II - II).
- Automatic on-load switching and source changeover without interruption with a UPS.
- Manual emergency operation.
- Padlocking in 3 positions.

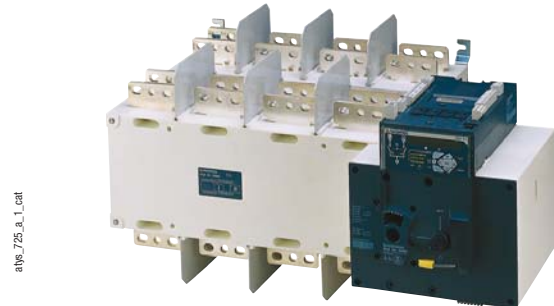
Consult us



THEGIODIEN.com

⇒ Accessories

**Motorised mixed pole changeover switches**



**Function**

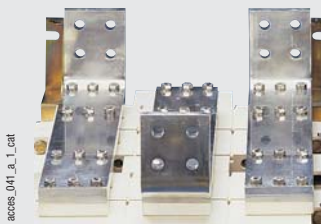
They provide switching and source inversion for low voltage sources of different power ratings.

**General characteristics**

1250 to 3200 A ratings, 3 and 4 pole.

Consult us

**Bridging bars**



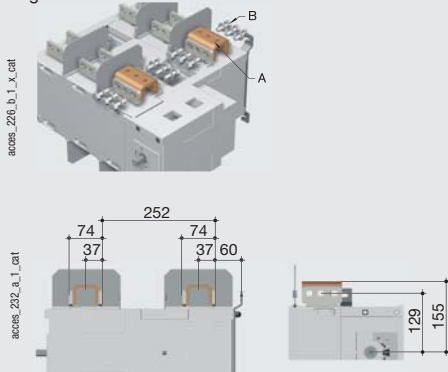
**Use**

To provide common point on either incoming or outgoing terminals.

Rating (A)	Section (mm)	Reference
125 ... 160	20 x 2.5	4109 0019
250	25 x 2.5	4109 0025
400	32 x 5	4109 0039
630	50 x 5	4109 0063
800 ... 1000	50 x 6	4109 0080
1250	60 x 8	4109 0120
1600 ... 1800	90 x 10	4109 0160

**Copper bars connection kits**

Fig.1



**Use**

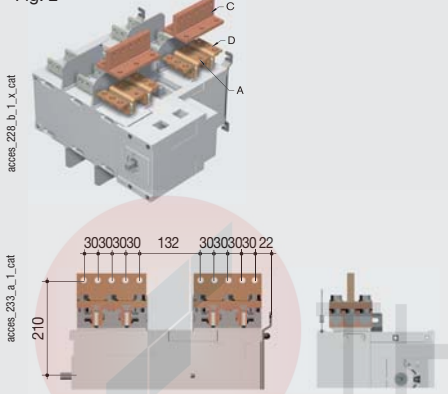
Enables:  
 - Connection between the two power terminals from the same pole for 2000 to 3200 A ratings (Fig. 1 and Fig 2).  
 - Top or bottom bridging connection (Fig. 3).

For 3200 A rating, the connection piece (part A) are delivered bridged from factory.  
 Bolt sets must be ordered separately.  
 Technical notice for these specific accessories can be download from [www.socomec.com](http://www.socomec.com)

**Top or bottom flat connection - Fig. 1**

Rating (A)	Piece	Quantity to order per pole <sup>(1)</sup>	Reference
2 000 ... 2 500	Connection - part A	2	2619 <b>1200</b>
2 000 ... 2 500	Bolt set - part B	2	2699 <b>1200</b>
3 200	Connection - part A		included
3 200	Bolt set - part B	2	2699 <b>1200</b>

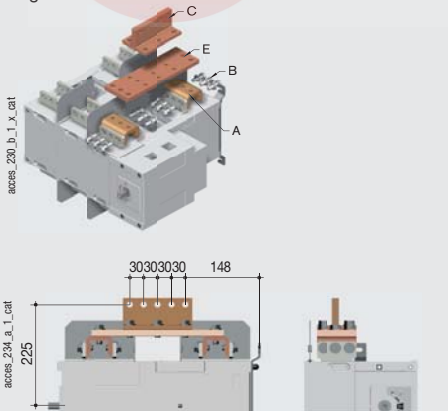
Fig. 2



**Top or bottom edgewise connection - Fig. 2**

Rating (A)	Piece	Quantity to order per pole <sup>(1)</sup>	Reference
2 000 ... 2 500	Connection - part A	2	2619 <b>1200</b>
2 000 ... 2 500	T piece - part C	2	2629 <b>1200<sup>(2)</sup></b>
2 000 ... 2 500	Right angle - part D	2	2639 <b>1200<sup>(2)</sup></b>
3 200	Connection - part A		included
3 200	T piece - part C	2	2629 <b>1200<sup>(2)</sup></b>
3 200	Right angle - part D	2	2639 <b>1200<sup>(2)</sup></b>

Fig. 3



**Top or bottom bridging connection - Fig. 3**

Rating (A)	Piece	Quantity to order per pole <sup>(1)</sup>	Reference
2 000 ... 2 500	Connection - part A	2	2619 <b>1200</b>
2 000 ... 2 500	Bolt set - part B	2	2699 <b>1200</b>
2 000 ... 2 500	Bar - piece E	1	4109 <b>0250<sup>(2)</sup></b>
2 000 ... 2 500	T piece - part C	1	2629 <b>1200<sup>(2)</sup></b>
3 200	Connection - part A		included
3 200	Bolt set - part B	2	2699 <b>1200</b>
3 200	Bar - piece E	1	4109 <b>0320<sup>(2)</sup></b>
3 200	T piece - part C	1	2629 <b>1200<sup>(2)</sup></b>

(1) Example for 3 pole device equipped upstream only; order 3 times the indicated quantities.  
 (2) Bolt set is provided with the accessories.

**Control voltage transformer**

**Use**

Enables a 230 VAC device to be supplied with 400 VAC.

Rating (A)	Reference
125 ... 630	1599 <b>4063</b>
800 ... 1800	1599 <b>4120</b>
2000 ... 3200	1599 <b>4200</b>

**DC power supply**

**Use**

Allows standard ATyS 3 or ATyS 6 to be DC power supplied.  
 To be positioned as close as possible to DC power supply source.

Rating (A)	Operating voltage	Reference
125 ... 1800	12 VDC / 230 VAC	1599 <b>5012</b>
125 ... 1800	24 VDC / 230 VAC	1599 <b>5112</b>



**Mounting spacers**

atvs\_00b\_a\_2\_cat



**Use**

Raises the device's terminals 10mm away from the bottom of the enclosure or frame on which the device is mounted.

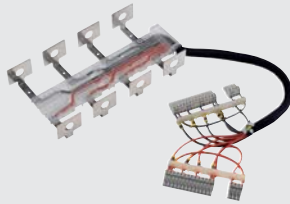
This may also be used to replace the original mounting spacers.

Rating (A)	Description of accessories	Reference
125 ... 630	1 set of 2 spacers	1509 <b>0001</b>

**Voltage sensing and power supply kit**

From 125 to 630 A.

atvs\_60b\_a\_1\_cat



**Use**

For ATyS 6 power supply and voltage measurement (4 wires, three phase). Routing of the conductors is controlled, which means that no specific protective device is necessary for these connections.

The kit can be fitted on the top or bottom of the switch.

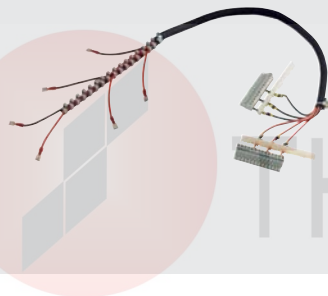
**Note: the 3-pole version does not integrate the power supply.**

**From ATyS 6 - 3 pole**

Rating (A)	Reference
125 ... 160	1559 <b>3012</b>
250	1559 <b>3025</b>
400	1559 <b>3040</b>
630	1559 <b>3063</b>
800 ... 1000	1559 <b>3080</b>
1250	1559 <b>3120</b>
1600	1559 <b>3160</b>
2000 ... 3200	1559 <b>3200</b>

From 800 to 3200 A.

atvs\_60b\_a\_2\_cat



**From ATyS 6 - 4 pole**

Rating (A)	Neutral on the right	Neutral on the left
	Reference	Reference
125 ... 160	1559 <b>4012</b>	1559 <b>4013</b>
250	1559 <b>4025</b>	1559 <b>4026</b>
400	1559 <b>4040</b>	1559 <b>4041</b>
630	1559 <b>4063</b>	1559 <b>4064</b>
800 ... 1000	1559 <b>4080</b>	1559 <b>4081</b>
1250	1559 <b>4120</b>	1559 <b>4121</b>
1600	1559 <b>4160</b>	1559 <b>4161</b>
2000 ... 3200	1559 <b>4200</b>	1559 <b>4201</b>

**Plug-in optional modules**

atvs\_016\_a\_1\_cat



**Use**

**N°1 - communication module**

Control and state feedback of the changeover switch via a 2 or 3-wire RS485 link with JBUS/MODBUS protocol® and transmission speed up to 38 400 baud.

**No. 2 - module with 2 inputs / 2 outputs**

- On ATyS 3e
  - 2 inputs: changeover control + backup network availability;
  - 2 outputs: a load shedder relay + fault relay.
- On ATyS 6e and 6m, 2 inputs / 2 programmable outputs.

Description of accessories	Reference
RS485 MODBUS (N°1)	1599 <b>2000</b>
2 inputs/2 outputs (N°2)	1599 <b>2001</b>

**Terminal shrouds**

aces\_20b\_a\_2\_cat



**Use**

Protection IP2X against direct contact with terminals or connecting parts.

**Advantages**

Perforations allowing remote thermographic inspection without removal.

Rating (A)	No. of poles	Position	Reference
125 ... 160	3 P	top / bottom / front (I) / rear (II)	2694 <b>3014</b> <sup>(1)(2)</sup>
125 ... 160	4 P	top / bottom / front (I) / rear (II)	2694 <b>4014</b> <sup>(1)(2)</sup>
250 ... 400	3 P	top / bottom / front (I) / rear (II)	2694 <b>3021</b> <sup>(1)(2)</sup>
250 ... 400	4 P	top / bottom / front (I) / rear (II)	2694 <b>4021</b> <sup>(1)(2)</sup>
630	3 P	top / bottom / front (I) / rear (II)	2694 <b>3051</b> <sup>(1)(2)</sup>
630	4 P	top / bottom / front (I) / rear (II)	2694 <b>4051</b> <sup>(1)(2)</sup>

(1) To shroud front switch top and bottom 2 references required.

(2) To fully shroud front, rear, top and bottom 4 references required.

**Terminal screens**

aces\_207\_a\_2\_cat



**Use**

Top or bottom protection against direct contact with terminals or connection parts.

Rating (A)	No. of poles	Position	Reference
125 ... 160	3 P	top / bottom	1509 3012
125 ... 160	4 P	top / bottom	1509 4012
250 ... 400	3 P	top / bottom	1509 3025
250 ... 400	4 P	top / bottom	1509 4025
630	3 P	top / bottom	1509 3063
630	4 P	top / bottom	1509 4063
800 ... 1 250	3 P	top / bottom	1509 3080
800 ... 1 250	4 P	top / bottom	1509 4080
1600 ... 1800	3 P	top / bottom	1509 3160
1600 ... 1800	4 P	top / bottom	1509 4160
2000 ... 3200	3 P	top / bottom	1509 3200
2000 ... 3200	4 P	top / bottom	1509 4200

**Auxiliary contacts**

aces\_106\_a\_1\_cat



**Use**

Pre breaking and signalling of positions I and II: 1 extra NO / NC auxiliary contact in each position (factory fitted).

Low level auxiliary contacts : Consult us.

**For ATyS 3s**

Rating (A)	Reference
125 ... 630	1599 1002
800 ... 1800	1599 1032

**For ATyS 3e, 6e and 6m**

Rating (A)	Reference
125 ... 630	1599 0002
800 ... 1600	1599 0032
2000 ... 3200	included

**Padlocking in the 3 positions I-0-II**

atys\_125\_a\_1\_cat



**Use**

Allows padlocking of the operation in the 3 positions I, 0 and II (factory fitted).

Rating (A)	Reference
125 ... 630	1599 0003
800 ... 3200	1599 0004

**Key handle interlocking accessories**

atys\_101\_a\_1\_cat



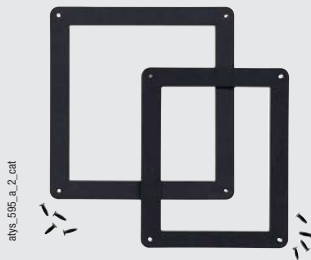
**Use**

Locking the electrical control and the backup control in position 0 using a RONIS EL11AP lock (factory fitted).

As standard, locking in position 0. Optional padlocking in 3 positions: Locking in position I, 0 or II

Rating (A)	Reference
125 ... 630	1509 1006
800 ... 3200	1509 1004

**Door protective surround**



aty\_s55\_a\_2\_cat

**Use**

Door finishing surround for protecting ATyS application.

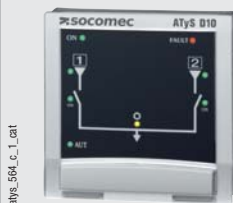
**For ATyS 3s**

Rating (A)	Reference
125 ... 630	1529 0012
800 ... 1800	1529 0080

**For ATyS 3e, 6e and 6m**

Rating (A)	Reference
125 ... 630	1539 0012
800 ... 3200	1539 0080

**Remote control interfaces for ATyS 6e, 6m and C30**



aty\_s64\_c\_1\_cat



aty\_s65\_c\_1\_cat

**Use**

To display source availability and changeover state on the front of a panel. Interfaces are self powered from the ATyS. Maximum connection distance: 3 m.

**ATyS D20**

In addition to the ATyS D10 allows displays, operation and configuration on the cabinet front panel. Protection degree: IP21.

**ATyS D10**

To display source availability and changeover state on the cabinet front panel. Protection degree: IP21.

**Door mounting**

2 holes Ø 22.5. ATyS connection via RJ45 cable, not isolated.

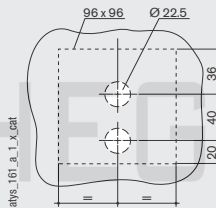
Cable not provided.

Interfaces are self powered from the ATyS.

Drillings



aty\_s57\_a\_1\_cat



aty\_s61\_a\_1\_x\_cat

**Description of accessories**

Description of accessories	Reference
ATyS D10	1599 2010
ATyS D20	1599 2020

**Connecting cable for remote interfaces**



access\_209\_a\_2\_cat

**Use**

To connect between a remote interface (D10 or D20) and a control product (C30 or ATyS 6e or 6m).

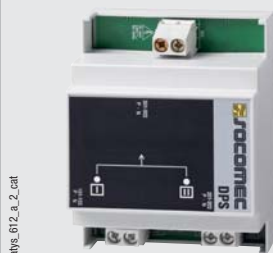
**Characteristics**

RJ45 8 straight non insulated wires, length 3m.

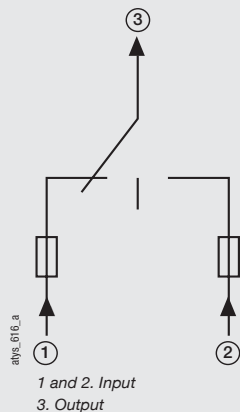
**For ATyS 6e, 6m and C30**

Type	Length	Reference
RJ45 cable	3 m	1599 2009

**Double power supply - DPS**



aty\_s612\_a\_2\_cat



**Use**

Allows an ATyS 3s to be supplied by two 230 VAC 50/60Hz networks.

**Input**

- The input is considered as "active" from 200 VAC.
- Maximum voltage: 288 VAC.
- Internal protection: fuse protected 3.15 A
- Terminal connections: max. 6 mm<sup>2</sup>.
- Modular device: 4 modules width.

Input 1	Input 2	Output
230 VAC	0 VAC	230 VAC (Input 1)
0 VAC	230 VAC	230 VAC (Input 2)
230 VAC	230 VAC	230 VAC (Input 1)
0 VAC	0 VAC	0 VAC

**Description of accessories**

Description of accessories	Reference
	1599 4001

## ➔ Characteristics according to IEC 60947-3 and IEC 60947-6-1

### 125 to 1000 A

Thermal current $I_{th}$ (40°C)	125 A	160 A	250 A	400 A	630 A	800 A	1 000 A
Rated insulation voltage $U_i$ (V)	800	800	800	800	1000	1000	1000
Rated impulse withstand voltage $U_{imp}$ (kV)	8	8	8	8	12	12	12

#### Rated operational currents $I_e$ (A) according to IEC 60947-3

Rated voltage	Load duty category	A/B <sup>(1)</sup>	A/B <sup>(1)</sup>	A/B <sup>(1)</sup>	A/B <sup>(1)</sup>	A/B <sup>(1)</sup>	A/B <sup>(1)</sup>	A/B <sup>(1)</sup>
415 VAC	AC-21 A / AC-21 B	125/125	160/160	250/250	400/400	630/630	800/800	1000/1000
415 VAC	AC-22 A / AC-22 B	125/125	160/160	250/250	400/400	630/630	800/800	1000/1000
415 VAC	AC-23 A / AC-23 B	125/125	160/160	250/250	250/250	500/500	800/800	1000/1000
690 VAC <sup>(2)</sup>	AC-20 A / AC-20 B	125/125	160/160	250/250	400/400	630/630	800/800	1000/1000
690 VAC <sup>(2)</sup>	AC-21 A / AC-21 B	125/125	160/160	200/250	200/250	500/500	800/800	800/800
690 VAC <sup>(2)</sup>	AC-22 A / AC-22 B	125/125	125/125	125/160	125/160	315/315	800/800	800/800
690 VAC <sup>(2)</sup>	AC-23 A / AC-23 B	63/80	63/80	100/125	100/125	160/200	200/250	200/250
220 VDC	DC-20 A / DC-20 B	125/125	160/160	250/250	400/400	630/630	800/800	1000/1000
220 VDC	DC-21 A / DC-21 B	125/125	160/160	250/250	250/250	630/630	800/800	1000/1000
220 VDC	DC-22 A / DC-22 B	125/125	160/160	250/250	250/250	500/500	800/800	1000/1000
220 VDC	DC-23 A / DC-23 B	125/125	125/125	200/200	200/200	500/500	800/800	1000/1000
440 VDC	DC-20 A / DC-20 B	125/125	160/160	250/250	400/400	630/630	800/800	1000/1000
440 VDC	DC-21 A / DC-21 B	125 <sup>(3)</sup> /125 <sup>(3)</sup>	125 <sup>(3)</sup> /125 <sup>(3)</sup>	200 <sup>(3)</sup> /200 <sup>(3)</sup>	200 <sup>(3)</sup> /200 <sup>(3)</sup>	500 <sup>(3)</sup> /500 <sup>(3)</sup>	800 <sup>(4)</sup> /800 <sup>(4)</sup>	1000 <sup>(4)</sup> /1000 <sup>(4)</sup>
440 VDC	DC-22 A / DC-22 B	125 <sup>(3)</sup> /125 <sup>(3)</sup>	125 <sup>(3)</sup> /125 <sup>(3)</sup>	200 <sup>(3)</sup> /200 <sup>(3)</sup>	200 <sup>(3)</sup> /200 <sup>(3)</sup>	500 <sup>(3)</sup> /500 <sup>(3)</sup>	800 <sup>(4)</sup> /800 <sup>(4)</sup>	1000 <sup>(4)</sup> /1000 <sup>(4)</sup>
440 VDC	DC-23 A / DC-23 B	125 <sup>(4)</sup> /125 <sup>(4)</sup>	125 <sup>(4)</sup> /125 <sup>(4)</sup>	200 <sup>(4)</sup> /200 <sup>(4)</sup>	200 <sup>(4)</sup> /200 <sup>(4)</sup>	500 <sup>(4)</sup> /500 <sup>(4)</sup>	800 <sup>(4)</sup> /800 <sup>(4)</sup>	1000 <sup>(4)</sup> /1000 <sup>(4)</sup>

#### Rated operational currents $I_o$ (A) according to IEC 60947-6-1

415 VAC	AC - 31 B	125	160	250	400	630	800	1 000
---------	-----------	-----	-----	-----	-----	-----	-----	-------

#### Overload capacity

Rated short-time withstand current 1 s. $I_{sw}$ (kA eff.)	7	7	9	9	13	26	35
Short-circuit making capacity (kA peak) <sup>(5)</sup>	20	20	30	30	45	55	80
Prospective short-circuit (kA rms) <sup>(5)</sup>	100	100	50	18	70	50	100
Associated fuse rating (A) <sup>(5)</sup>	125	160	250	400	630	800	1000

#### Connection

Minimum Cu cable section (mm <sup>2</sup> )	35	50	95	185	2 x 150	2 x 185	2 x 240
Minimum Cu busbar section (mm <sup>2</sup> )					2 x 30 x 5	2 x 40 x 5	2 x 50 x 5
Maximum Cu cable section (mm <sup>2</sup> )	50	95	150	240	2 x 300	2 x 300	4 x 185
Maximum Cu busbar width (mm)	25	25	32	32	50	63	63
Tightening torque min / max (Nm)	9/13	9/13	20/26	20/26	20/26		

#### Switching time (Standard setting)

I - II or II - I (s) <sup>(6)</sup>	0.75	0.75	1.3	1.3	1.3	2.6	2.6
I - 0 or II - 0 (s) <sup>(6)</sup>	0.45	0.45	0.85	0.85	0.85	1.6	1.6
Duration of "electrical blackout" I - II (s)	0.3	0.3	0.6	0.6	0.6	1.5	1.5

#### Power supply

Power supply 230 VAC min / max (VAC)	176/288	176/288	176/288	176/288	176/288	176/288	176/288
--------------------------------------	---------	---------	---------	---------	---------	---------	---------

#### Control supply power demand

Supply 230 VAC inrush / nominal (VA)	420/80	420/80	420/100	420/100	420/110	450/120	450/120
--------------------------------------	--------	--------	---------	---------	---------	---------	---------

#### Mechanical characteristics

Durability (number of operating cycles)	10 000	10 000	8 000	8 000	5 000	4 000	4 000
Weight of 3 P switch (ATyS 3) (kg)	3.2	3.3	3.7	4.7	5.2	19.6	23.1
Weight of 4 P switch (ATyS 3) (kg)	3.3	3.4	3.8	5.2	5.7	23.1	24.6
Weight of 3 P switch (ATyS 6) (kg)	4	4.1	4.5	5.5	6	20.4	23.9
Weight of 4 P switch (ATyS 6) (kg)	4.1	4.2	4.6	6	6.5	23.9	25.4

(1) Category with index A = frequent operation - Category with index B = infrequent operation.

(2) With terminal shrouds or phase barrier.

(3) 3-pole device with 2 poles in series for the "+" and 1 pole for the "-".

(4) 4-pole device with 2 poles in series by polarity.

(5) For a rated operational voltage  $U_o = 400$  VAC.

(6) Between the command given and arrival in position at  $U_n$  (under nominal conditions).

# 1 250 to 3 200 A

Thermal current $I_{th}$ (40°C)	1 250 A	1 600 A	1 800 A	2 000 A	2 500 A	3 200 A
Rated insulation voltage $U_i$ (V)	1000	1000	1000	1000	1000	1000
Rated impulse withstand voltage $U_{imp}$ (kV)	12	12	12	12	12	12

### Rated operational currents $I_e$ (A) according to IEC 60947-3

Rated voltage	Load duty category	A/B <sup>(1)</sup>	A/B <sup>(1)</sup>	A/B <sup>(1)</sup>	A/B <sup>(1)</sup>	A/B <sup>(1)</sup>	A/B <sup>(1)</sup>
415 VAC	AC-21 A / AC-21 B	1250/1250	1600/1600	1800/1800	-/2000	-/2500	-/3200
415 VAC	AC-22 A / AC-22 B	1250/1250	1600/1600	1800/1800	-/2000	-/2500	-/3200
415 VAC	AC-23 A / AC-23 B	1250/1250	1250/1250	1250/1250	-/1600	-/1600	-/1600
690 VAC <sup>(2)</sup>	AC-20 A / AC-20 B	1250/1250	1600/1600	1800/1800			
690 VAC <sup>(2)</sup>	AC-21 A / AC-21 B	800/800	1000/1000	1000/1000			
690 VAC <sup>(2)</sup>	AC-22 A / AC-22 B	800/800	1000/1000	1000/1000			
690 VAC <sup>(2)</sup>	AC-23 A / AC-23 B	200/250	500/500	500/500			
220 VDC	DC-20 A / DC-20 B	1250/1250	1600/1600	1800/1800			
220 VDC	DC-21 A / DC-21 B	1250/1250	1250/1250	1250/1250			
220 VDC	DC-22 A / DC-22 B	1250/1250	1250/1250	1250/1250			
220 VDC	DC-23 A / DC-23 B	1250/1250	1250/1250	1250/1250			
440 VDC	DC-20 A / DC-20 B	1250/1250	1600/1600	1800/1800			
440 VDC	DC-21 A / DC-21 B	1250 <sup>(3)</sup> /1250 <sup>(3)</sup>	1250 <sup>(3)</sup> /1250 <sup>(3)</sup>	1250 <sup>(3)</sup> /1250 <sup>(3)</sup>			
440 VDC	DC-22 A / DC-22 B	1250 <sup>(3)</sup> /1250 <sup>(3)</sup>	1250 <sup>(3)</sup> /1250 <sup>(3)</sup>	1250 <sup>(3)</sup> /1250 <sup>(3)</sup>			
440 VDC	DC-23 A / DC-23 B	1250 <sup>(3)</sup> /1250 <sup>(3)</sup>	1250 <sup>(3)</sup> /1250 <sup>(3)</sup>	1250 <sup>(3)</sup> /1250 <sup>(3)</sup>			

### Rated operational currents $I_s$ (A) according to IEC 60947-6-1

415 VAC	AC - 31 B	1 250	1 600	1800	2 000	2 500	3 200
---------	-----------	-------	-------	------	-------	-------	-------

### Overload capacity

Rated short-time withstand current 1 s. $I_{cw}$ (kA eff.)	35	50	50	55	55	55
Rated peak withstand current (kA peak) <sup>(4)</sup>	80	110	110	120	120	120
Prospective short-circuit (kA rms) <sup>(4)</sup>	100	100	100			
Associated fuse rating (A) <sup>(4)</sup>	1250	1600	1800			

### Connection

Minimum Cu busbar section (mm <sup>2</sup> )	2 x 60 x 5	2 x 80 x 5	3 x 100 x 5	2 x 100 x 10	2 x 100 x 10	2 x 100 x 10
Maximum Cu cable section (mm <sup>2</sup> )	4 x 185	6 x 185	6 x 185			
Maximum Cu busbar width (mm)	63	100	100	100	100	100
Tightening torque min / max (Nm)	20/26	40/45	40/45	40/45	40/45	40/45

### Switching time (Standard setting)

I - II or II - I (s) <sup>(5)</sup>	2.6	2.6	2.6	2	2	2
I - 0 or 0 (s) <sup>(5)</sup>	1.6	1.6	1.6	1	1	1
Duration of "electrical blackout" I - II (s)	1.5	1.6	1.6	1	1	1

### Power supply

Power supply 230 VAC min / max (VAC)	176/288	176/288	176/288	176/288	176/288	176/288
--------------------------------------	---------	---------	---------	---------	---------	---------

### Control supply power demand

Supply 230 VAC inrush / nominal (VA)	450/120	450/120	450/120	550/390	550/390	550/390
--------------------------------------	---------	---------	---------	---------	---------	---------

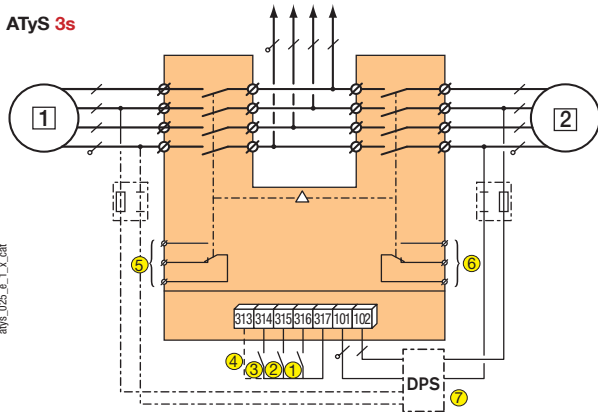
### Mechanical characteristics

Durability (number of operating cycles)	4 000	3 000	3 000	3 000	3 000	3 000
Weight of 3 P switch (ATyS 3) (kg)	24.6	36.1	36.1	47	51	59
Weight of 4 P switch (ATyS 3) (kg)	29.6	42.1	42.1	57	61	69
Weight of 3 P switch (ATyS 6) (kg)	25.4	36.9		47	51	59
Weight of 4 P switch (ATyS 6) (kg)	30.4	42.9		57	61	69

- (1) Category with index A = frequent operation - Category with index B = infrequent operation.  
 (2) With terminal shrouds or phase barrier.  
 (3) 4-pole device with 2 poles in series by polarity.  
 (4) For a rated operational voltage  $U_s = 400$  VAC.  
 (5) Between the command given and arrival in position at  $U_s$  (under nominal conditions).

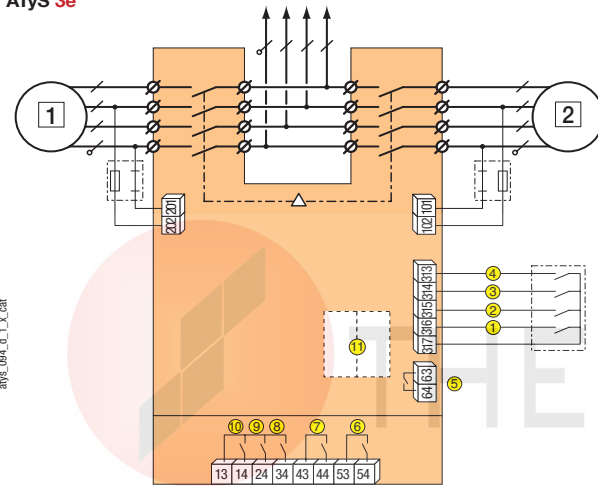
➤ Terminals and connections

ATyS 3s



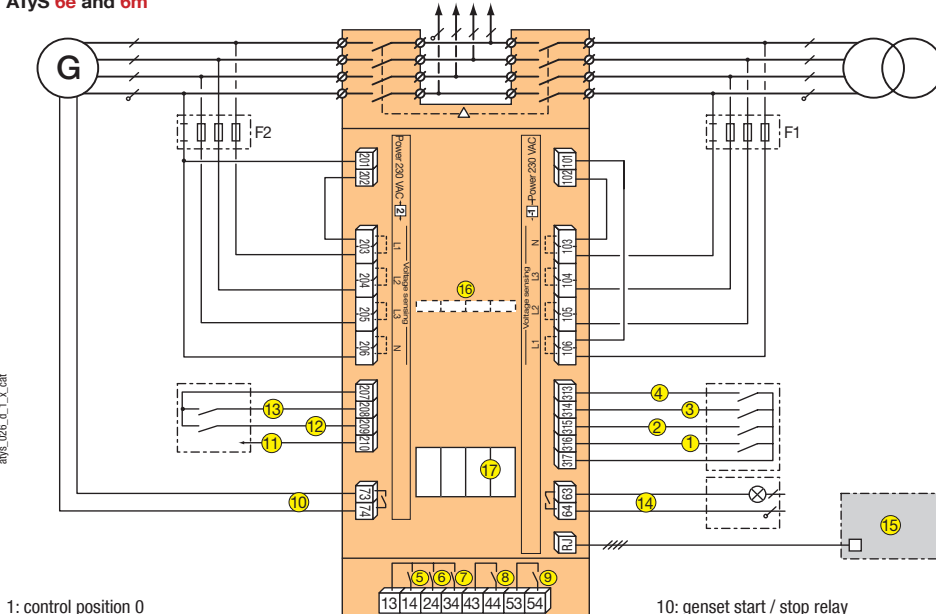
- 1 preferred source
- 2 alternate source
- 1: control position 0
- 2: control position I
- 3: control position II
- 4: configuration of the control logic
- 5: NO/NC position and prebreaking contact for position I
- 6: NO/NC position and prebreaking contact for position II
- 7: Double Power Supply (accessory)

ATyS 3e



- 1 preferred source
- 2 alternate source
- 1: control position 0
- 2: control position I
- 3: control position II
- 4: inhibition of the control position
- 5: fault relays
- 6: auxiliary contact, closed when the switch is padlocked
- 7: auxiliary contact, closed when the switch is in "AUT" mode
- 8: auxiliary contact, closed when the switch is in position 0
- 9: auxiliary contact, closed when the switch is in position II
- 10: auxiliary contact, closed when the switch is in position I
- 11: slots for optional modules

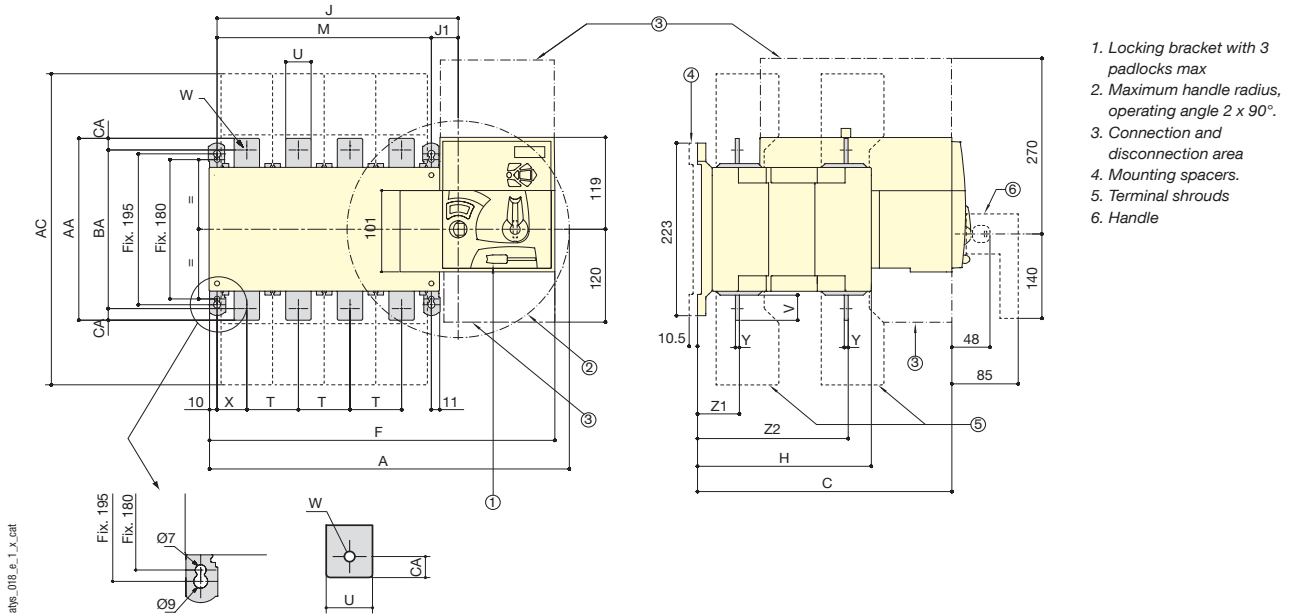
ATyS 6e and 6m



- 1: control position 0
- 2: control position I
- 3: control position II
- 4: remote command
- 5: auxiliary contact, closed when the switch is in position I
- 6: auxiliary contact, closed when the switch is in position II
- 7: auxiliary contact, closed when the switch is in position 0
- 8: auxiliary contact, closed when the switch is in "AUT" mode
- 9: auxiliary contact, closed when the switch is padlocked
- 10: genset start / stop relay
- 11: auxiliary power supply (for optional modules control)
- 12: remote "test on-load" input
- 13: DTT inhibit input. Transfer initiated as soon as the input is closed when DTT = max. value.
- 14: fault relay
- 15: remote control interface
- 16: current transformers (ATyS 6m only)
- 17: slots for optional modules

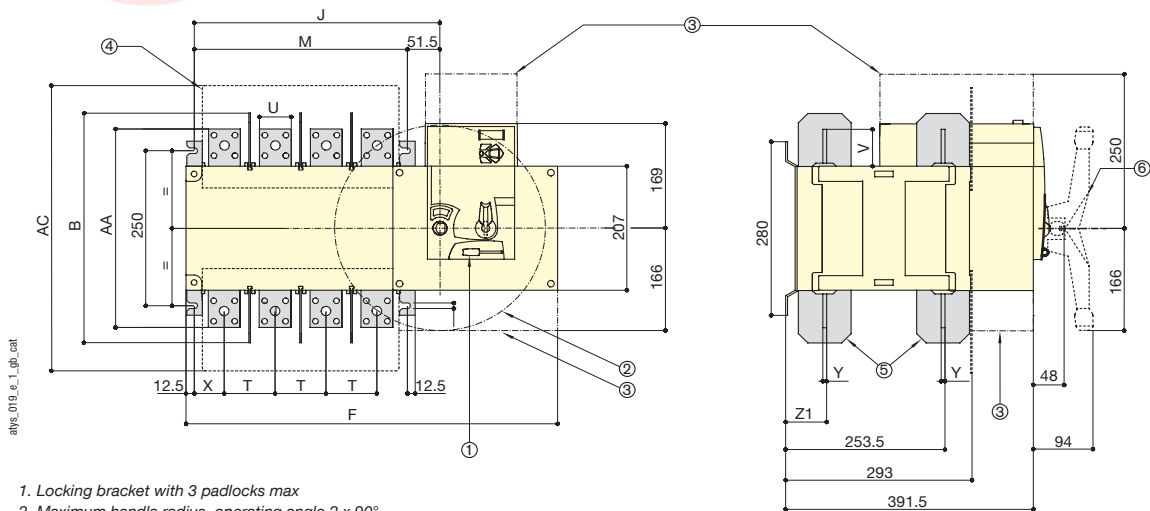
## ➔ ATyS - Dimensions

### ATyS 125 to 630 A



Rating (A)	Overall dimensions			Terminal shrouds AC	Switch body						Switch mounting		Connection											
	A 3p.	A 4p.	C		F 3p.	F 4p.	H	J 3p.	J 4p.	J1	M 3p.	M 4p.	T	U	V	W	X 3p.	X 4p.	Y	Z1	Z2	AA	BA	AC
125	304	340	244	235	286.5	322.5	151	154	184	34	120	150	36	20	25	9	28	22	3.5	38	134	135	115	10
160	304	340	244	235	286.5	322.5	151	154	184	34	120	150	36	20	25	9	28	22	3.5	38	134	135	115	10
250	345	395	244.5	280	328	378	153	195	245	35	160	210	50	25	30	11	33	33	3.5	39.5	134.5	160	130	15
400	345	395	244.5	280	328	378	153	195	245	35	160	210	50	35	35	11	33	33	3.5	39.5	134.5	170	140	15
630	394	459	320.5	400	377	437	221	244	304	34	210	270	65	45	50	13	42.5	37.5	5	53	190	260	220	20

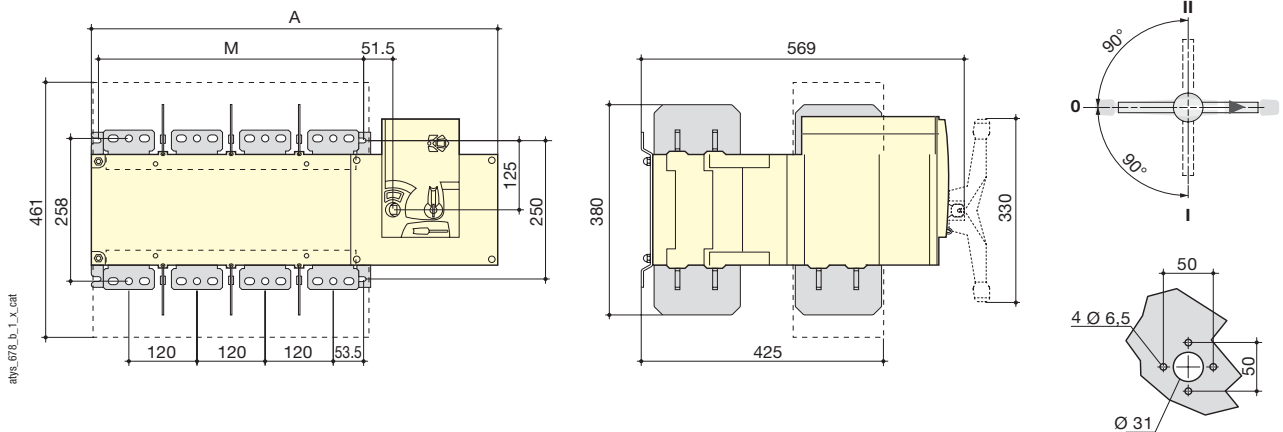
### ATyS 800 to 1800 A



1. Locking bracket with 3 padlocks max
2. Maximum handle radius, operating angle 2 x 90°.
3. Connection and disconnection area
4. Terminals protection screen
5. Inter phase barrier.
6. Handle

Rating (A)	Overall dimensions B	Terminal shrouds AC	Switch body				Switch mounting		Connection						
			F 3p.	F 4p.	J 3p.	J 4p.	M 3p.	M 4p.	T	U	V	X	Y	Z1	AA
800	370	461	504	584	306.5	386.5	255	335	80	50	60.5	60	7	66.5	321
1000	370	461	504	584	306.5	386.5	255	335	80	50	60.5	60	7	66.5	321
1250	370	461	504	584	306.5	386.5	255	335	80	60	65	60	7	66.5	330
1600	380	481	596	716	398.5	518.5	347	467	120	90	44	66	8	67.5	288
1800	380	481	596	716	398.5	518.5	347	467	120	90	44	66	8	67.5	288

ATyS 2000 to 3200 A



Rating (A)	Overall dimensions		Switch mounting	
	A 3p.	A 4p.	M 3p.	M 4p.
2 000 ... 3 200	596	716	347	467

➔ Cut of dimensions

ATyS 125 to 630 A

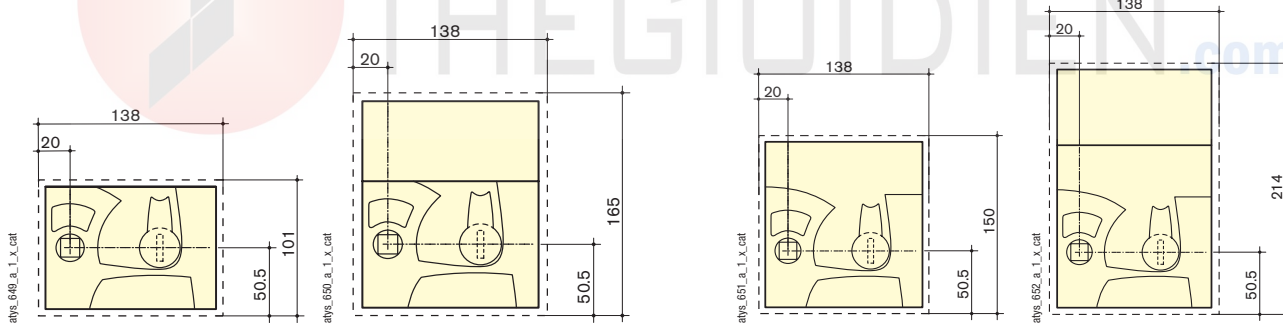
ATyS 3s

ATyS 3e, 6e, 6m

ATyS 800 to 1800 A

ATyS 3s

ATyS 3e, 6e, 6m



➔ Connection terminals

ATyS 800 to 1000 A

ATyS 1250 A

ATyS 1600 to 3200 A

