

Centrifugal Fan

225FLW2/4

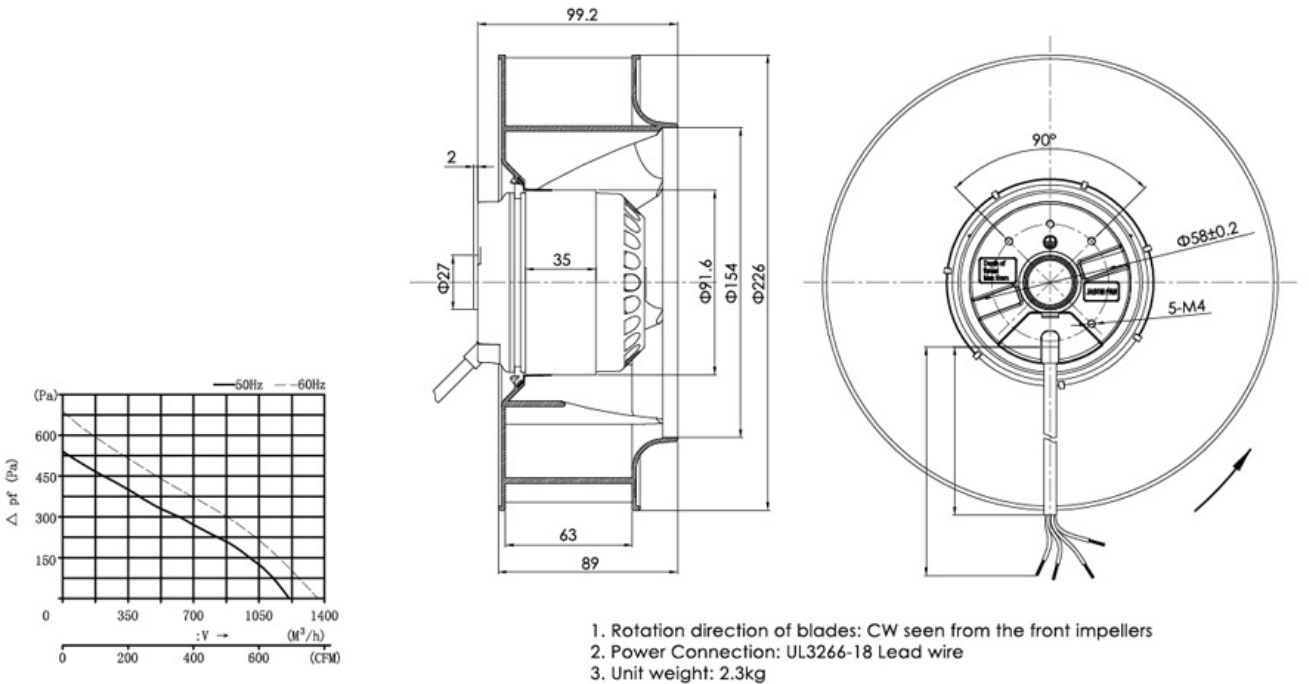
Certification	Impeller	Protection class
CE	Black PA nylon	IP44

- **Motor** Cage type capacitor structure external rotor motor
- **Impeller** Black PA nylon one-time injection moulding
- **Operation temperature and humidity range:**
-40°C~+80°C (temperature) 0%~95%(humidity)
- **Protection** Motor Internal with automatic recovery thermal protection
- **Withstand Voltage** AC 1,800V, 1 min at 0.5mA, 50/60 Hz
- **Insulation Grade** design according to IEC61858 Grade F,



Impeller: PA6 Black Bottom: Steel

Dimensions



Model	Order Code	Rated Voltage V	Frequency Hz	Phase	Input power (W)	Current (A)	Speed (r/min)	Air Flow (m³/min)	Static pressure (Pa)	Noise (dB)	Weight (kg)	Capacitance
225FLW2	2019.011	220	50/60	1	131/170	0.62/0.74	2630 /2930	20/22.3	550/725	69/71	2.3	4µF/450VDB
225FLW4	2019.012	380	50/60	1/3	135/170	0.34/0.44	2650 /2950	20/22.3	550/725	69/71	2.3	-