

HY-700 series

Micro switch

- Certain operation and long life expectancy due to the snap action tool and strong chemical resistance case (phenolic resin)
- Excellent repetitive accuracy and 10A opening / closing capacity
- Standard type, hole gap of installation cutout dimension : 25.4mm, fix with M4 bolt
- 9 types of actuators provide wide usages
- Terminal protective cover (optional)



Control switch
Combination
display light

Power switch
Main switch
Cam switch

Limit switch
Micro switch

Hoist switch
Foot switch
Mono lever switch

Sign tower
Signal light

Buzzer
Terminal block
Fuse holder

Control box
Cable connector

Discontinued
Products


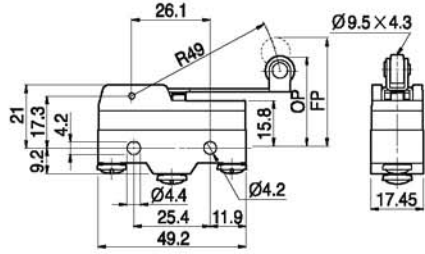
Specification

Contact structure	M4-5.5 screw tightening, 1c contact	
Contact material	AgCdO	
Protective structure	Standard type	
Rated current(Ie)	10 A 250 V a.c	
Dielectric strength	2,000 V a.c 50/60 Hz for 1min (between the terminal and non-recharging metal part)	
Insulation resistance	Min 100 M Ω (500 V d.c insulated ohmmeter)	
Contact resistance	Max 50 M Ω (default value)	
Rated voltage(Ue)	250 V a.c	
Vibration	Double amplitude 1.5mm, frequency 10 ~ 55 Hz, continuously 2 hour	
Shock	100 % (durability), 50 % (malfunction)	
Allowable operation speed	0.1 % ~ 1 %	
Life expectancy	Mechanical	Min 1 million times (less than open/close frequency 120 times/min)
	Electrical	Min 300 thousand times (less than open/close frequency 20 times/min)
Ambient temperature	-10 ~ 80 °C	
Ambient humidity	25 ~ 95 % R.H.	
Weight	Approx 800g (10 HY-R704B 1 box)	


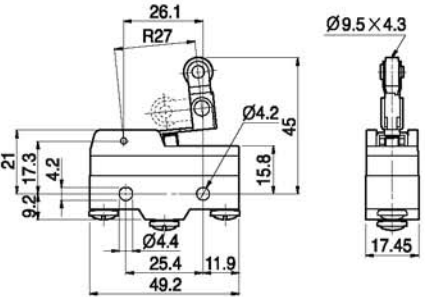
Terminal arrangement

Appearance	Connection diagram


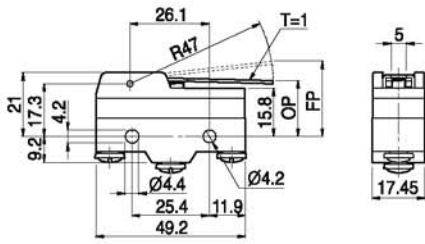
■ Hinge roller lever type

Appearance	Dimension	Operation characteristic
 <p data-bbox="349 682 462 735">HY-R704C (Z4G1L03B)</p>		<p data-bbox="1096 472 1307 682">O,F max : 0,98 N (100 gf) R,F min : 0,14 N (14 gf) P,T max : 8,0 mm O,T min : 3,6 mm M,D max : 2,4 mm O,P : 30,2 ±1,0 mm</p>

■ 2 positions roller lever type


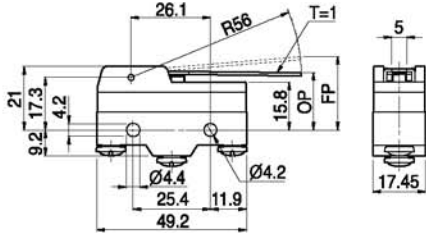
Appearance	Dimension	Operation characteristic
 <p data-bbox="341 1155 470 1186">HY-R704-2W</p>		<p data-bbox="1096 945 1307 1155">O,F max : 0,98 N (100 gf) R,F min : 0,14 N (14 gf) P,T max : 8,0 mm O,T min : 3,6 mm M,D max : 0,5 mm O,P : 43,2 ±1,4 mm</p>

■ Single position lever type

Appearance	Dimension	Operation characteristic
 <p data-bbox="349 1648 454 1680">HY-L707A</p>		<p data-bbox="1096 1428 1307 1648">O,F max : 1,57 N (160 gf) R,F min : 0,27 N (28 gf) P,T max : 5,0 mm O,T min : 2,0 mm M,D max : 1,2 mm O,P : 19,1 ±1,0 mm</p>

HY-700 series


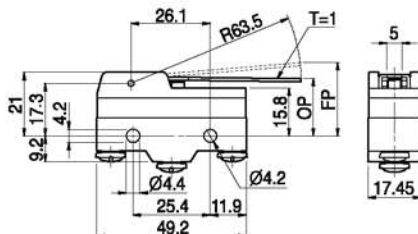
■ Middle lever type

Appearance	Dimension	Operation characteristic
 <p>HY-L707B</p>		<p>O,F max : 1,18 N (120 gf) R,F min : 0,20 N (20 gf) P,T max : 6,5 mm O,T min : 2,8 mm M,D max : 1,8 mm O,P : 19,1 ±1,0 mm</p>

Control switch
Combination display light

Power switch
Main switch
Cam switch

■ Hinge lever type


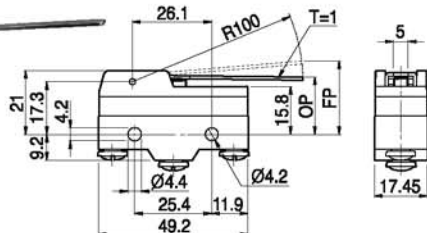
Appearance	Dimension	Operation characteristic
 <p>HY-L707C (Z4G1L01B)</p>		<p>O,F max : 0,98 N (100 gf) R,F min : 0,14 N (14 gf) P,T max : 1,0 mm O,T min : 4,0 mm M,D max : 2,4 mm O,P : 19,1 ±1,0 mm</p>

Limit switch
Micro switch

Hoist switch
Foot switch
Mono lever switch

Sign tower
Signal light

■ Special lever type


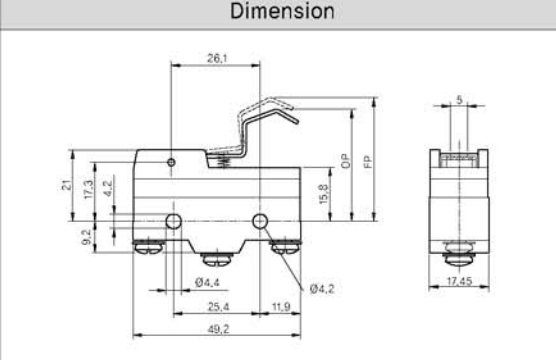
Appearance	Dimension	Operation characteristic
 <p>HY-L707D</p>		<p>O,F max : 0,78 N (80 gf) R,F min : 0,1 N (10 gf) P,T max : 1,4 mm O,T min : 5,6 mm M,D max : 3,5 mm O,P : 19,1 ±1,0 mm</p>

Buzzer
Terminal block
Fuse holder


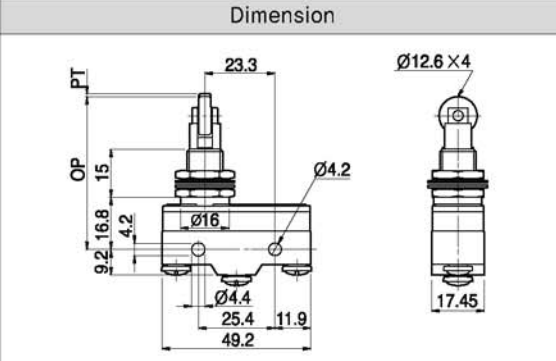
Control box
Cable connector

Discontinued Products


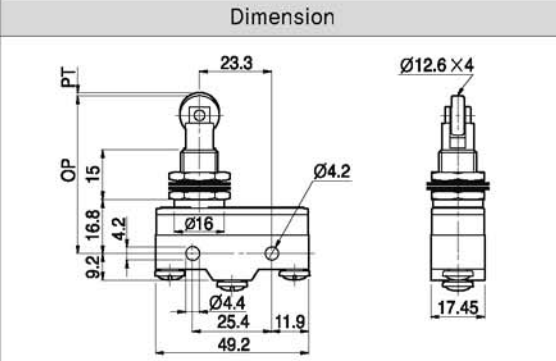
■ Hunge Special lever type

Appearance	Dimension	Operation characteristic
 <p>HY-L707S</p>		<p>O,F max : 1,37 N (140 gf) R,F min : 0,27 N (28 gf) P,T max : 5,0 mm O,T min : 4,5 mm M,D max : 1,2 mm O,P : 33,0 ± 1 mm</p>

■ Roller panel mounting type (Vertical)

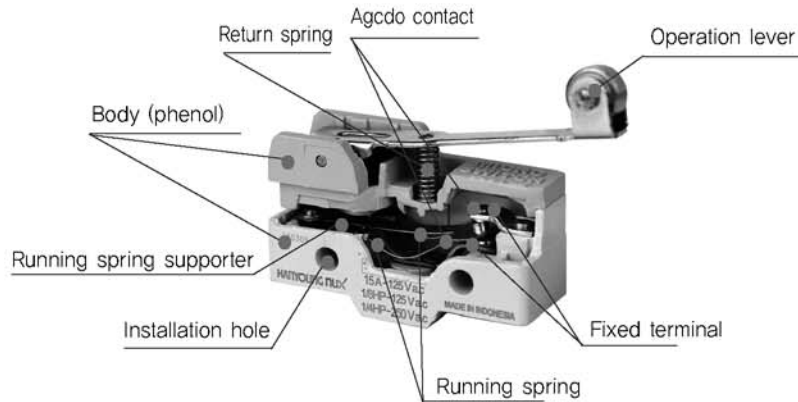
Appearance	Dimension	Operation characteristic
 <p>HY-PR708A</p>		<p>O,F max : 3,73 N (380 gf) R,F min : 1,12 N (114 gf) P,T max : 1,0 mm O,T min : 3,2 mm M,D max : 0,13 mm O,P : 33,3 ± 1,4 mm</p>

■ Roller panel mounting type

Appearance	Dimension	Operation characteristic
 <p>HY-PR708B (Z4G1P07B)</p>		<p>O,F max : 3,73 N (380 gf) R,F min : 1,12 N (114 gf) P,T max : 1,0 mm O,T min : 3,2 mm M,D max : 0,13 mm O,P : 33,3 ± 1,4 mm</p>

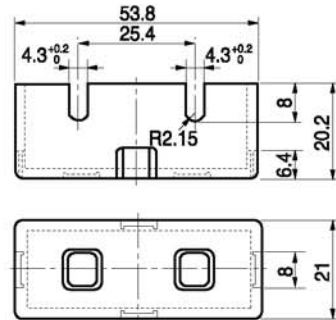
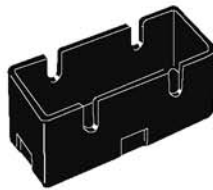
Structure

Internal structure

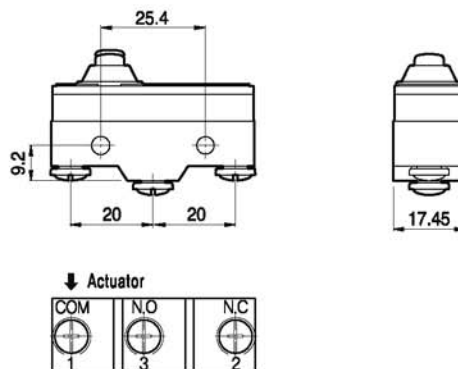


Terminal protective cover

MS-10



Dimension and terminal arrangement



Control switch
Combination
display light

Power switch
Main switch
Cam switch

Limit switch
Micro switch

Hoist switch
Foot switch
Mono lever switch

Sign tower
Signal light

Buzzer
Terminal block
Fuse holder

Control box
Cable connector

Discontinued
Products