

HY-256/306/606/606N

Power buzzer

- Compact size, light weight, high capacity buzzer melody
- Excellent alarm function
- Suitable for panel installation
- Low power consumption



Suffix code

Model	Code	Description
HY-	<input type="checkbox"/> - <input type="checkbox"/>	Power Buzzer
Dimension	256	For Ø25
	306	For Ø30
	606	Rectangular panel flush type (For Ø66)
	606N	Rectangular panel extended type (<input type="checkbox"/> 80)
Power supply voltage	1	110 V a.c, 50/60 Hz
	2	220 V a.c, 50/60 Hz
	12	12 V d.c
	24	24 V d.c


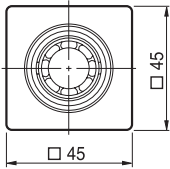
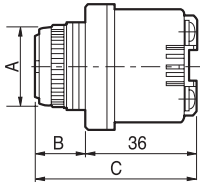

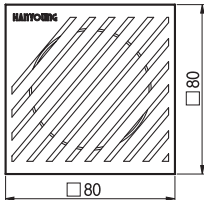
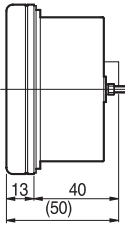
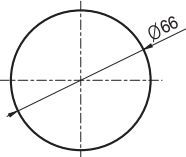

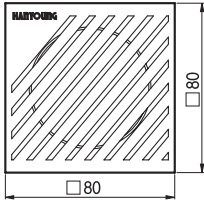
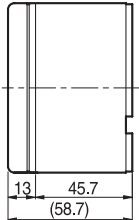
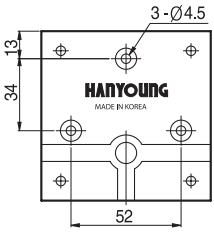
Specification (HY-256, HY-306)

Model	Ø25	HY-256-1	HY-256-2	HY-256-12	HY-256-24
	Ø30	HY-306-1	HY-306-2	HY-306-12	HY-306-24
Power supply voltage		110 V a.c	220 V a.c	12 V d.c	24 V d.c
Power frequency		50/60 Hz		-	
Power consumption		Approx 4 VA		30 mA max.	
Decibel		85 dB (1m distance)			
Insulation resistance		100 M Ω (500V d.c insulation resistance meter)			
Dielectric strength		1,000 V a.c for 1min (recharging part-non recharging part)			
Ambient temperature		-10 °C ~ 55 °C			
Ambient humidity		45 - 85 % R.H.			

●● Specification (HY-606, HY-606N)

Model	flush type	HY-606-1	HY-606-2	HY-606-12	HY-606-24
	extended type	HY-606N-1	HY-606N-2	HY-606N-12	HY-606N-24
Power supply voltage		110 V a.c	220 V a.c	12 V d.c	24 V d.c
Power frequency		50/60 Hz		-	
Power consumption		Approx 8 VA		30 mA max.	
Decibel		85 dB (1m distance)		80 dB (1m distance)	
Insulation resistance		100 M Ω (500 V d.c insulation resistance meter)			
Dielectric strength		1,000 V a.c for 1 min (recharging part-non recharging part)			
Ambient temperature		-10 °C ~ 55 °C			
Ambient humidity		45 - 85 % R.H.			

●● Dimension (unit : mm)

Model	Appearance	Dimension												
HY-256 HY-306														
		Model	A	B	C	panel cutout	HY-256	$\varnothing 31$	27.5	74	$\varnothing 25.5^{+0.5}_0$ mm	HY-306	$\varnothing 36$	27.5
Model	A	B	C	panel cutout										
HY-256	$\varnothing 31$	27.5	74	$\varnothing 25.5^{+0.5}_0$ mm										
HY-306	$\varnothing 36$	27.5	74	$\varnothing 30.5^{+0.5}_0$ mm										
HY-606														
HY-606N														

Control switch
Combination display light

Power switch
Main switch
Cam switch

Limit switch
Micro switch

Hoist switch
Foot switch
Mono lever switch

Sign tower
Signal light

Buzzer
Terminal block
Fuse holder

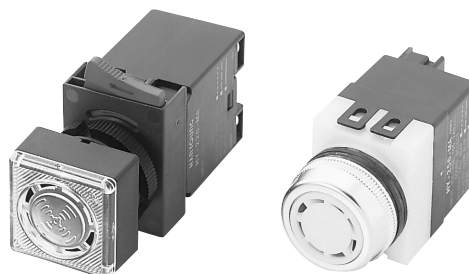
Control box
Cable connector

Discontinued Products

HY-226M/HY-256M

3 tones electronic buzzer

- Compact, light weight and composed of 3 melodies
- Front LED lighted when operating the buzzer
- Excellent attachment due to the panel type
- Low power consumption



●● Suffix code

Model	Code	Description
HY-	<input type="checkbox"/> <input type="checkbox"/>	3 tones electronic buzzer
Dimension	226	Ø22 / Ø25 dual usage (Rectangular shaped front)
	256	For Ø25 installation (Round shaped front)
Power supply voltage	MD	12 – 24 V d.c
	MA	100 – 240 V a.c


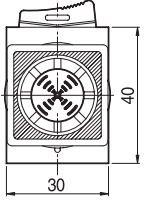
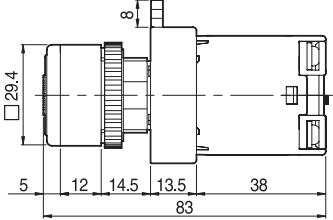

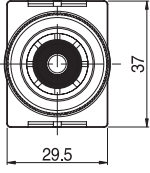
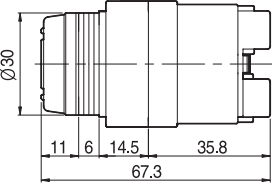
●● Specification

Model	HY-226MD	HY-226MA	HY-256MD	HY-226MA
Installation diameter	Ø22 / Ø25 dual usage		Ø25	
Power supply voltage	12 – 24 V d.c	100 – 240 V a.c (50 – 60 Hz)	12 – 24 V d.c	100 – 240 V a.c (50 – 60 Hz)
Power consumption	0.6 W	13.5 W	0.6 W	13.5 W
Volume	80 dB	80 dB	80 dB	80 dB

●● Tone selection

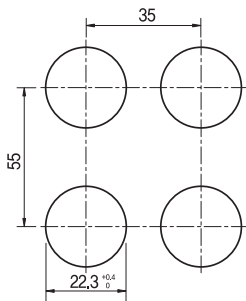
Tone selection	Tone symbol	Information
SELECT-1	🔊.....	fast beeping
SELECT-2	🔊-----	slow beeping
REMOVE	🔊————	Continuous tone

●● Dimension (unit : mm)

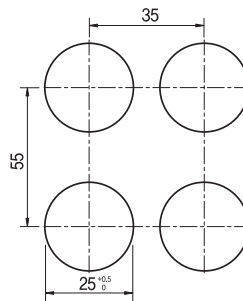
Model	Appearance	Dimension	
HY-226			
HY-256			

●● Panel cutout dimension (unit : mm)

• HY-226



• HY-226 / HY-256



Control switch
Combination display light

Power switch
Main switch
Cam switch

Limit switch
Micro switch

Hoist switch
Foot switch
Mono lever switch

Sign tower
Signal light

Buzzer
Terminal block
Fuse holder

Control box
Cable connector

Discontinued Products

HY-606MD/HY-606MA

4 tones melody buzzer

- 4 tones of melody selectable
- Compact, light weight, high capacity tones
- Low power consumption and long life expectancy
- Simple installation structure due to the panel installation type



●● Suffix code

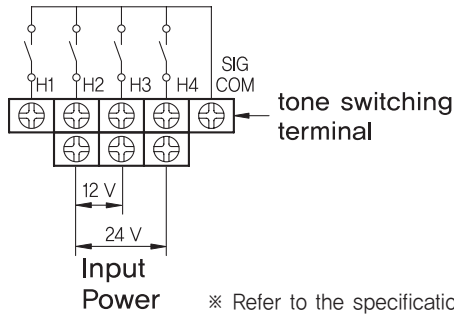
Model	Code	Description
HY-606	<input type="checkbox"/>	4 tones melody buzzer
Power supply voltage	MD	12 - 24 V d.c
	MA	110 - 240 V a.c

●● Specification

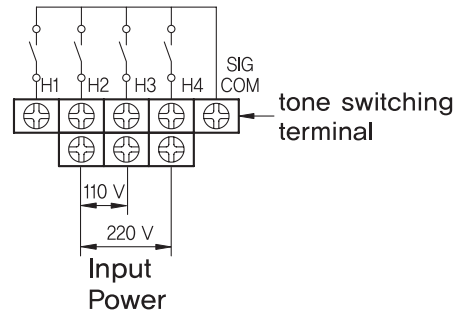
Model	HY-606MD	HY-606MA
Power supply voltage	12 - 24 V d.c	110 - 240 V a.c
Power frequency	-	50/60 Hz (Dual usage)
Power consumption	Approx 2.5 W	
Decibel	98 dB Max.	
Installation hole	Ø66 panel cutout	
Tone types	H1	Fire
	H2	Ambulance
	H3	Police
	H4	Music (For Elise)

●● Wiring diagram

■ HY-606MD (d.c)



■ HY-606MA (a.c)

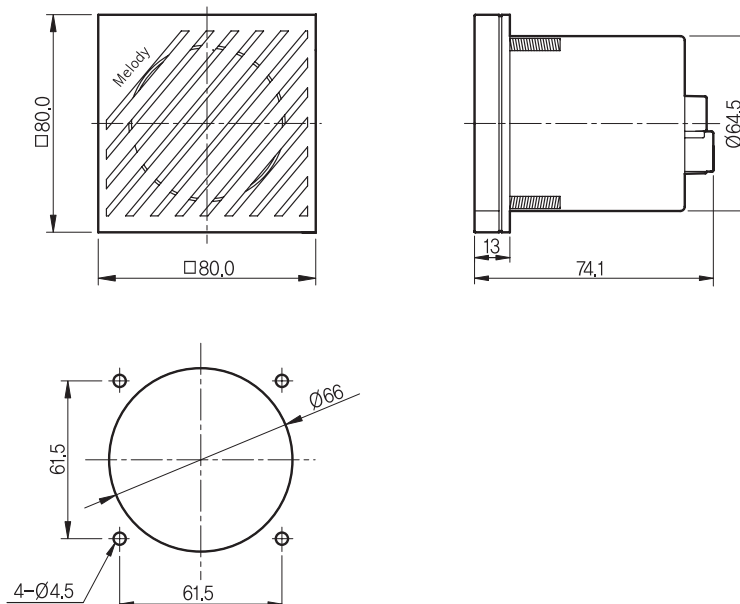


※ Refer to the specification for melodies type (H1~H4)

●● Precautions

- Do not supply any voltage into the tone switching terminal. Doing so may damage the product.
- When wiring to the terminal, please use the crimp-type terminal less than $\varnothing 6.0$ (outer diameter) and more than $\varnothing 3.1$ (inner diameter).
- Supply the power after confirming the correct wiring.

●● Dimension and panel cutout (unit : mm)



Control switch
Combination display light

Power switch
Main switch
Cam switch

Limit switch
Micro switch

Hoist switch
Foot switch
Mono layer switch

Sign tower
Signal light

Buzzer
Terminal block
Fuse holder

Control box
Cable connector

Discontinued Products